

Air-Conditioners

SLZ-KA25, KA35, KA50VAQ3 KA25, KA35, KA50VAL3

INSTALLATION MANUAL

FOR INSTALLER

For safe and correct use, please read this manual and the outdoor unit installation manual thoroughly before installing the air-conditioner unit.

INSTALLATIONSHANDBUCH

FÜR INSTALLATEURE

Aus Sicherheitsgründen und zur richtigen Anwendung vor Installation der Klimaanlage die vorliegende Bedienungsanleitung und das Installationshandbuch gründlich durchlesen.

MANUEL D'INSTALLATION

POUR L'INSTALLATEUR

Avant d'installer le climatiseur, lire attentivement ce manuel, ainsi que le manuel d'installation de l'appareil extérieur pour une utilisation sûre et correcte.

INSTALLATIEHANDLEIDING

VOOR DE INSTALLATEUR

Lees deze handleiding en de installatiehandleiding van het buitenapparaat zorgvuldig door voordat u met het installeren van de airconditioner begint.

MANUAL DE INSTALACIÓN

PARA EL INSTALADOR

Para un uso seguro y correcto, lea detalladamente este manual de instalación antes de montar la unidad de aire acondicionado.

MANUALE DI INSTALLAZIONE

PER L'INSTALLATORE

Per un uso sicuro e corretto, prima di installare il condizionatore d'aria leggere attentamente il presente manuale ed il manuale d'installazione dell'unità esterna.

ΕΓΧΕΙΡΙΔΙΟ ΟΔΗΓΙΩΝ ΕΓΚΑΤΑΣΤΑΣΗΣ

ΓΙΑ ΑΥΤΟΝ ΠΟΥ ΚΑΝΕΙ ΤΗΝ ΕΓΚΑΤΑΣΤΑΣΗ

Για σωστή και ασφαλή χρήση, διαβάστε προσεκτικά αυτό το εγχειρίδιο, καθώς και το εγχειρίδιο εγκατάστασης της εξωτερικής μονάδας, πριν από την εγκατάσταση της μονάδας κλιματιστικού.

MANUAL DE INSTALAÇÃO

PARA O INSTALADOR

Para uma utilização segura e correcta, leia atentamente este manual e o manual de instalação da unidade exterior antes de instalar o aparelho de ar condicionado.

INSTALLATIONSMANUAL

FÖR INSTALLATÖREN

Läs bruksanvisningen och utomhusenhetens installationshandbok noga innan luftkonditioneringen installeras så att den används på ett säkert och korrekt sätt.

РУКОВОДСТВО ПО УСТАНОВКЕ

ДЛЯ УСТАНОВИТЕЛЯ

Для обеспечения безопасной и надлежащей эксплуатации внимательно прочтите данное руководство и руководство по установке наружного прибора перед установкой кондиционера.

English

Deutsch

Français

Nederlands

Español

Italiano

Ελληνικά

Português

Svenska

Русский

Contents

1. Safety precautions.....	2	6. Drainage piping work.....	6
2. Selecting the installation location.....	2	7. Electrical work.....	7
3. Installation diagram.....	3	8. Installing the grille.....	10
4. Installing the indoor unit.....	3	9. Test run.....	12
5. Refrigerant piping work.....	5		

Note:
The phrase “Wired remote controller” in this installation manual refers only to the PAR-31MAA. If you need any information for the other remote controller, please refer to either the installation manual or initial setting manual which are included in these boxes.

1. Safety precautions

- Be sure to read “Safety precautions” before installing the air conditioner.
- Be sure to observe the cautions specified here as they include important items related to safety.
- The indications and meanings are as follows.

Warning:
Could lead to death, serious injury, etc.

Caution:
Could lead to serious injury in particular environments when operated incorrectly.

- **Warning:**
Do not install it by yourself (customer). Incomplete installation could cause injury due to fire, electric shock, the unit falling or leakage of water. Consult the dealer from whom you purchased the unit or special installer.
- Install the unit securely in a place which can bear the weight of the unit. When installed in an insufficient strong place, the unit could fall causing injured.
- Use the specified wires to connect the indoor and outdoor units securely and attach the wires firmly to the terminal board connecting sections so the stress of the wires is not applied to the sections. Incomplete connecting and fixing could cause fire.
- Do not use intermediate connection of the power cord or the extension cord and do not connect many devices to one AC outlet. It could cause a fire or an electric shock due to defective contact, defective insulation, exceeding the permissible current, etc.
- Check that the refrigerant gas does not leak after installation has completed.
- Perform the installation securely referring to the installation manual. Incomplete installation could cause a personal injury due to fire, electric shock, the unit falling or leakage of water.
- Perform electrical work according to the installation manual and be sure to use an exclusive circuit. If the capacity of the power circuit is insufficient or there is incomplete electrical work, it could result in a fire or an electric shock.
- The user should never attempt to repair the unit or transfer it to another location.

- **Caution:**
Perform grounding. Do not connect the ground wire to a gas pipe, water pipe arrester or telephone ground wire. Defective grounding could cause an electric shock.
- Do not install the unit in a place where an inflammable gas leaks. If gas leaks and accumulates in the area surrounding the unit, it could cause an explosion.
- Install a ground leakage breaker depending on the installation place (where it is humid). If a ground leakage breaker is not installed, it could cause an electric shock.

2. Selecting the installation location

2.1. Indoor unit


- Where airflow is not blocked.
- Where cool air spreads over the entire room.
- Where it is not exposed to direct sunshine.
- At a distance 1 m or more away from your TV and radio (to prevent picture from being distorted or noise from being generated).

2.2. Wireless remote controller mounting (For SLZ-KA-VAL3)

- Place of mounting
 - Where it is easy to operate and easily visible.
 - Where children can not touch.
- Mounting

Select a position about 1.2 m above the floor, check that signals from the remote controller are surely received by the indoor unit from that position (“beep” or “beep-beep” receiving tone sounds). After that, attach remote controller holder to a pillar or wall and set the wireless remote controller.

- After reading this manual, be sure to keep it together with the instruction manual in a handy place on the customer’s site.

 : Indicates a part which must be grounded.

Warning:
Carefully read the labels affixed to the main unit.

- The appliance shall be installed in accordance with national wiring regulations.
- If the supply cord is damaged, it must be replaced by the manufacturer, its service agent or similarly qualified persons in order to avoid a hazard.
- Attach the electrical part cover to the indoor unit and the service panel to the outdoor unit securely. If the electrical part cover in the indoor unit and/or the service panel in the outdoor unit are not attached securely, it could result in a fire or an electric shock due to dust, water, etc.
- Be sure to use the part provided or specified parts for the installation work. The use of defective parts could cause an injury or leakage of water due to a fire, an electric shock, the unit falling, etc.
- Ventilate the room if refrigerant leaks during operation. If the refrigerant comes in contact with a flame, poisonous gases will be released.
- When installing or relocating, or servicing the air conditioner, use only the specified refrigerant (R410A) to charge the refrigerant lines. Do not mix it with any other refrigerant and do not allow air to remain in the lines. If air is mixed with the refrigerant, then it can be the cause of abnormal high pressure in the refrigerant line, and may result in an explosion and other hazards. The use of any refrigerant other than that specified for the system will cause mechanical failure or system malfunction or unit breakdown. In the worst case, this could lead to a serious impediment to securing product safety.

- Perform the drainage/piping work securely according to the installation manual. If there is a defect in the drainage/piping work, water could drop from the unit and household goods could be wet and damaged.
- Fasten a flare nut with a torque wrench as specified in this manual. When fastened too tight, a flare nut may broken after a long period and cause a leakage of refrigerant.

- In a place as far away as possible from fluorescent and incandescent lights (so the infrared remote control can operate the air conditioner normally).
- Where the air filter can be removed and replaced easily.

Warning:
Mount the indoor unit into a ceiling strong enough to withstand the weight of the unit.

In rooms where inverter type fluorescent lamps are used, the signal from the wireless remote controller may not be received.

3. Installation diagram

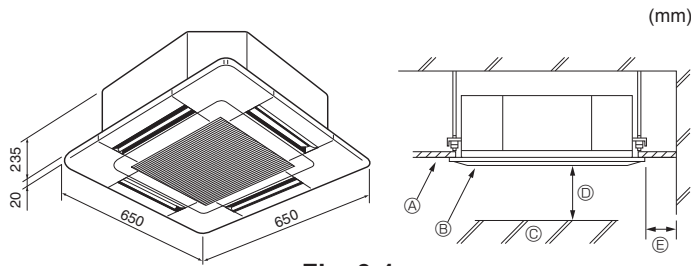


Fig. 3-1

3.1. Indoor unit (Fig. 3-1)

- Ⓐ Ceiling
 - Ⓑ Grille
 - Ⓒ Obstacle
 - Ⓓ Min. 1000 mm
 - Ⓔ Min. 500 mm (Entire periphery)
- If setting the maintenance space for Ⓔ, be sure to leave is a minimum of 700 mm.

⚠ Warning:

Mount the indoor unit on a ceiling strong enough to withstand the weight of the unit.

3.2. Outdoor unit

Refer to the outdoor unit installation manual.

4. Installing the indoor unit

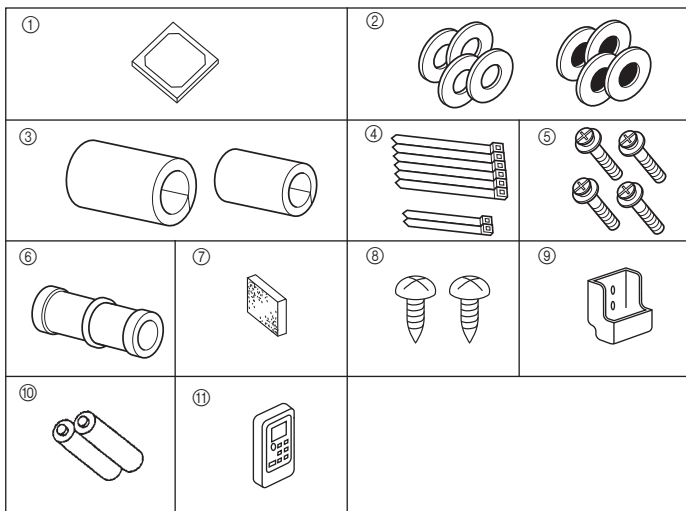


Fig. 4-1

4.1. Check the indoor unit accessories (Fig. 4-1)

The indoor unit should be supplied with the following accessories.

	Accessory name	Q'ty
①	Installation template	1
②	Washers (with insulation) Washers (without insulation)	4 4
③	Pipe cover (for refrigerant piping joint) small diameter (liquid) large diameter (gas)	1 1
④	Band (large) Band (small)	6 2
⑤	Screw with washer (M5 × 25) for mounting grille	4
⑥	Drain socket	1
⑦	Insulation	1
⑧	Fixing screw for ⑨ 3.5 × 16 (Black) (for SLZ-KA-VAL3)	2
⑨	Remote controller holder (for SLZ-KA-VAL3)	1
⑩	Battery (AAA) (for SLZ-KA-VAL3)	2
⑪	Wireless remote controller (for SLZ-KA-VAL3)	1

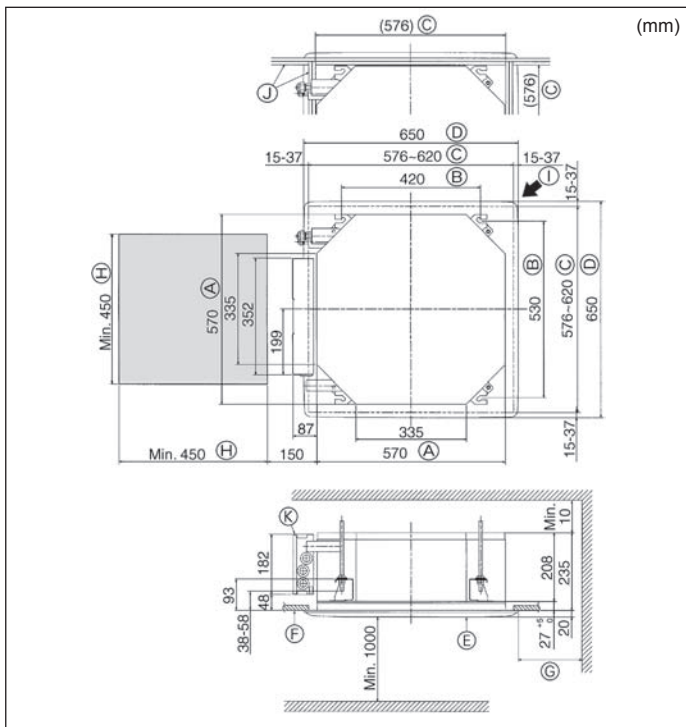


Fig. 4-2

4.2. Ceiling openings and suspension bolt installation locations (Fig. 4-2)

• Using the installation template (top of the package) and the gauge (supplied as an accessory with the grille), make an opening in the ceiling so that the main unit can be installed as shown in the diagram. (The method for using the template and the gauge are shown.)

* Before using, check the dimensions of template and gauge, because they change due to fluctuations of temperature and humidity.

* The dimensions of ceiling opening can be regulated within the range shown in following diagram; so center the main unit against the opening of ceiling, ensuring that the respective opposite sides on all sides of the clearance between them becomes identical.

• Use M10 (3/8") suspension bolts.

* Suspension bolts are to be procured at the field.

• Install securely, ensuring that there is no clearance between the ceiling panel & grille, and between the main unit & grille.

- Ⓐ Outer side of main unit
- Ⓑ Bolt pitch
- Ⓒ Ceiling opening
- Ⓓ Outer side of Grille
- Ⓔ Grille
- Ⓕ Ceiling
- Ⓖ Min. 500 mm (Entire periphery)
If setting the maintenance space for Ⓖ, be sure to leave is a minimum of 700 mm.
- Ⓗ Maintenance space
- Ⓙ Fresh air intake
- Ⓚ Angle
- Ⓛ Electric component box

* Note that the space between ceiling panel of the unit and ceiling slab, etc., must be 10 to 15 mm to be left.

* Leave the maintenance space at the electric component box end.

4. Installing the indoor unit

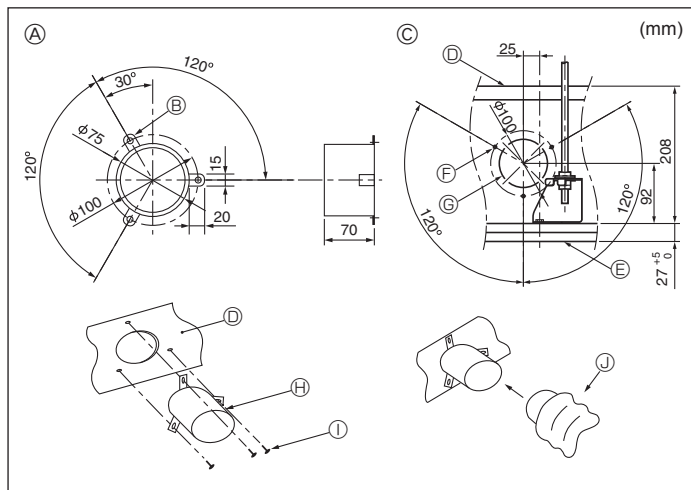


Fig. 4-3

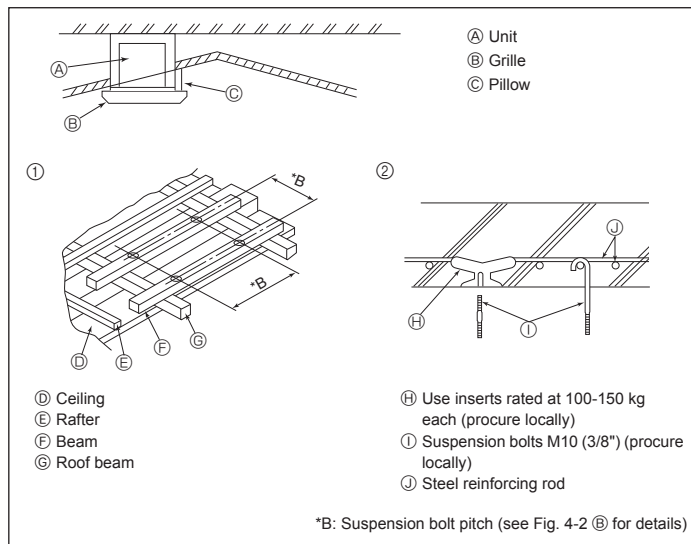


Fig. 4-4

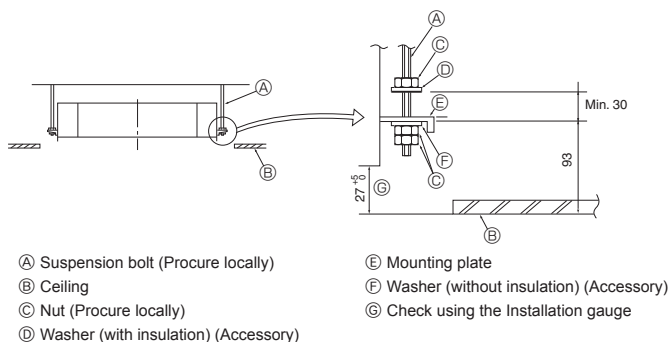


Fig. 4-5

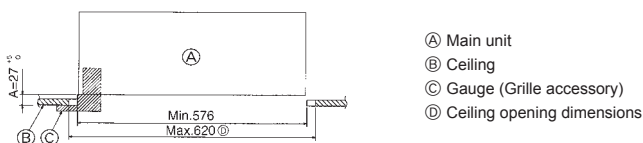


Fig. 4-6

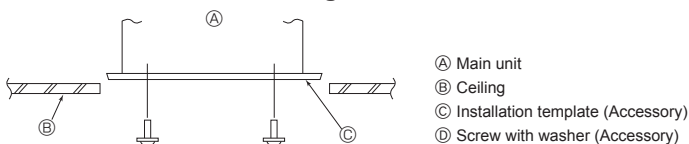


Fig. 4-7

4.3. Installation of duct (in case of fresh air intake)

(Fig. 4-3)

⚠ Caution:

Linkage of duct fan and air conditioner

In case that a duct fan is used, be sure to make it linked with the air conditioner when outside air is taken.

Do not run the duct fan only. It can cause dew drop.

Making a duct flange (prepared locally)

- The shape of duct flange shown left is recommended.

Installation of duct flange

- Cut out the cutout hole. Do not knock it out.
- Install a duct flange to the cutout hole of the indoor unit with three 4 × 10 tapping screws which should be prepared locally.

Installation of duct (should be prepared locally)

- Prepare a duct of which inner diameter fits into the outer diameter of the duct flange.
- In case that the environment above the ceiling is high temperature and high humidity, wrap the duct in a heat insulate to avoid causing dew drop on the wall.

- | | |
|---|---|
| (A) Duct flange recommended shape
(Thickness: 0.8 or more) | (F) 3-ø2.8 Burring hole |
| (B) 3-ø5 hole | (G) ø73.4 cutout hole |
| (C) Detail drawing of fresh air intake | (H) Duct flange (Prepared locally) |
| (D) Indoor unit | (I) 4 × 10 Tapping screw (Prepared locally) |
| (E) Ceiling surface | (J) Duct |

4.4. Suspension structure (Give site of suspension strong structure) (Fig. 4-4)

- The ceiling work differs according to the construction of the building. Building constructors and interior decorators should be consulted for details.

(1) Extent of ceiling removal: The ceiling must be kept completely horizontal and the ceiling foundation (framework: wooden slats and slat holders) must be reinforced in order to protect the ceiling from vibration.

(2) Cut and remove the ceiling foundation.

(3) Reinforce the ends of the ceiling foundation where it has been cut and add ceiling foundation for securing the ends of the ceiling board.

(4) When installing the unit on a slanting ceiling, interlock a pillow between the ceiling and the grille and set so that the unit is installed horizontally.

① Wooden structures

- Use tie beams (single-story houses) or second floor beams (two story houses) as reinforcing members.
- Wooden beams for suspending air conditioners must be sturdy and their sides must be at least 6 cm long if the beams are separated by not more than 90 cm and their sides must be at least 9 cm long if the beams are separated by as much as 180 cm. The size of the suspension bolts should be ø10 (3/8"). (The bolts do not come with the unit.)

② Ferroconcrete structures

Secure the suspension bolts using the method shown, or use steel or wooden hangers, etc. to install the suspension bolts.

4.5. Unit suspension procedures (Fig. 4-5)

Suspend the main unit as shown in the diagram.

- In advance, set the parts onto the suspension bolts in the order of the washers (with insulation), washers (without insulation) and nuts (double).

- Fit the washer with cushion so that the insulation faces downward.

- In case of using upper washers to suspend the main unit, the lower washers (with insulation) and nuts (double) are to be set later.

2. Lift the unit to the proper height of the suspension bolts to insert the mounting plate between washers and then fasten it securely.

3. When the main unit can not be aligned against the mounting hole on the ceiling, it is adjustable owing to a slot provided on the mounting plate. (Fig. 4-6)

- Make sure that step A is performed within 27-32 mm. Damage could result by failing to adhere to this range.

4.6. Confirming the position of main unit and tightening the suspension bolts (Fig. 4-7)

- Using the gauge attached to the grille, ensure that the bottom of the main unit is properly aligned with the opening of the ceiling. Be sure to confirm this, otherwise condensation may form and drip due to air leakage etc.

- Confirm that the main unit is horizontally levelled, using a level or a vinyl tube filled with water.

- After checking the position of the main unit, tighten the nuts of the suspension bolts securely to fasten the main unit.

- The installation template can be used as a protective sheet to prevent dust from entering the main unit when the grilles are left unattached for a while or when the ceiling materials are to be lined after installation of the unit is finished.

* As for the details of fitting, refer to the instructions given on the Installation template.

5. Refrigerant piping work

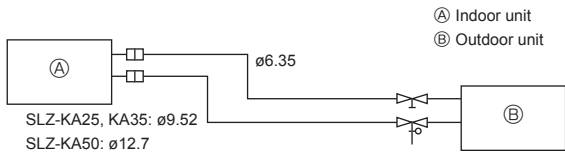


Fig. 5-1

5.1. Refrigerant pipe (Fig. 5-1)

Piping preparation

- Refrigerant pipes of 3, 5, 7, 10 and 15 m are available as optional items.
- (1) Table below shows the specifications of pipes commercially available.

Model	Pipe	Outside diameter		Min. wall thickness	Insulation thickness	Insulation materia
		mm	inch			
SLZ-KA25	For liquid	6.35	1/4	0.8 mm	8 mm	Heat resist- ing foam plastic 0.045 specific gravity
	For gas	9.52	3/8	0.8 mm	8 mm	
SLZ-KA35	For liquid	6.35	1/4	0.8 mm	8 mm	
	For gas	9.52	3/8	0.8 mm	8 mm	
SLZ-KA50	For liquid	6.35	1/4	0.8 mm	8 mm	
	For gas	12.7	1/2	0.8 mm	8 mm	

- (2) Ensure that the 2 refrigerant pipes are well insulated to prevent condensation.
- (3) Refrigerant pipe bending radius must be 100 mm or more.

⚠ Caution:
Using careful insulation of specified thickness. Excessive thickness prevents storage behind the indoor unit and smaller thickness causes dew drippage.

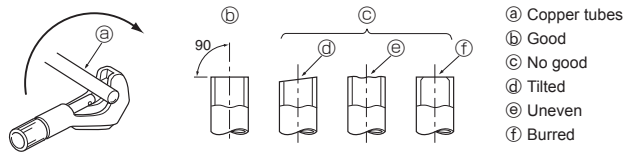


Fig. 5-2

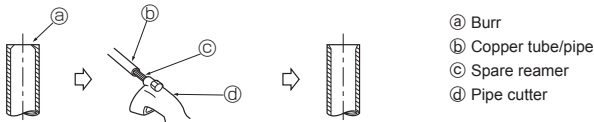


Fig. 5-3



Fig. 5-4

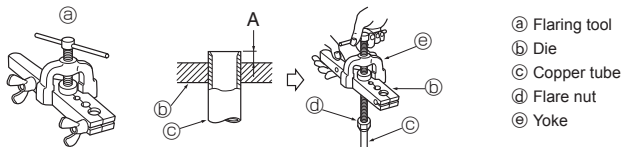


Fig. 5-5

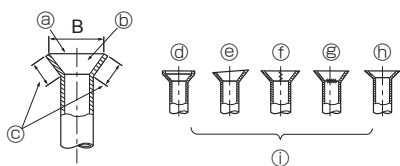


Fig. 5-6

5.2. Flaring work

- Main cause of gas leakage is defect in flaring work.
- Carry out correct flaring work in the following procedure.

5.2.1. Pipe cutting (Fig. 5-2)

- Using a pipe cutter cut the copper tube correctly.

5.2.2. Burrs removal (Fig. 5-3)

- Completely remove all burrs from the cut cross section of pipe/tube.
- Put the end of the copper tube/pipe to downward direction as you remove burrs in order to avoid burrs drop in the tubing.

5.2.3. Putting nut on (Fig. 5-4)

- Remove flare nuts attached to indoor and outdoor unit, then put them on pipe/tube having completed burr removal. (not possible to put them on after flaring work)

5.2.4. Flaring work (Fig. 5-5)

- Carry out flaring work using flaring tool as shown at the right.

Pipe diameter (mm)	Dimension	
	A (mm)	B ⁺⁰ / _{-0.4} (mm)
	When the tool for R410A is used	
6.35	0 - 0.5	9.1
9.52	0 - 0.5	13.2
12.7	0 - 0.5	16.6

Firmly hold copper tube in a die in the dimension shown in the table at above.

5.2.5. Check (Fig. 5-6)

- Compare the flared work with a figure in right side hand.
- If flare is noted to be defective, cut off the flared section and do flaring work again.

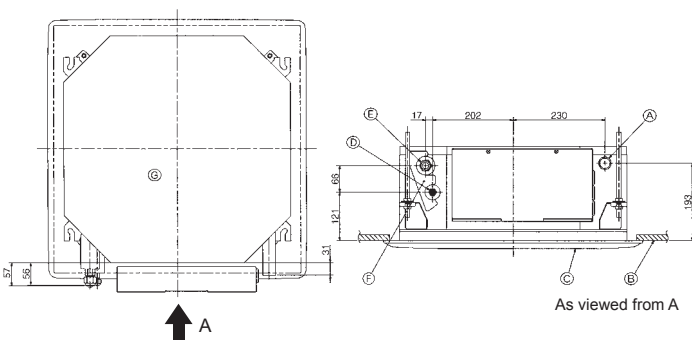


Fig. 5-7

5.3. Refrigerant and drainage piping locations (Fig.5-7)

- (A) Drain pipe
- (B) Ceiling
- (C) Grille
- (D) Refrigerant pipe (liquid)
- (E) Refrigerant pipe (gas)
- (F) Water supply inlet
- (G) Main unit

5. Refrigerant piping work

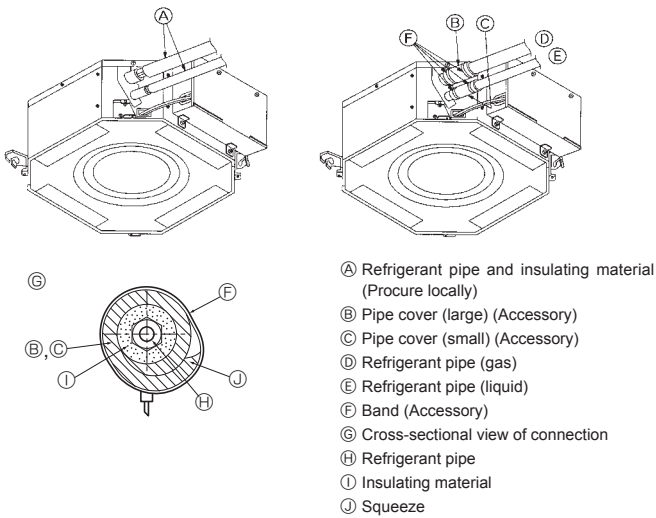


Fig. 5-8

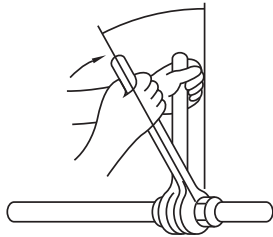


Fig. 5-9

5.4. Pipe connection (Fig. 5-8)

Indoor unit

1) When using commercially available copper pipes:

- Apply thin layer of refrigerant oil to pipe and joint seating surface before tightening flare nut.
- Use two wrenches to tighten piping connections.
- Air-purge the refrigerant piping using your own refrigerant gas (don't air-purge the refrigerant charged in the outdoor unit).
- Use leak detector or soapy water to check for gas leaks after connections are completed.
- Use refrigerant piping insulation provided to insulate indoor unit connections. Insulate carefully following shown below.

2) Heat insulation for refrigerant pipes:

- ① Wrap the enclosed large-sized pipe cover around the gas pipe, making sure that the end of the pipe cover touches the side of the unit.
- ② Wrap the enclosed small-sized pipe cover around the liquid pipe, making sure that the end of the pipe cover touches the side of the unit.
- ③ Secure both ends of each pipe cover with the enclosed bands. (Attach the bands 20 mm from the ends of the pipe cover.)

See that stop valve on outdoor unit is fully shut (unit is shipped with valve shut). After all piping connections between indoor and outdoor unit have been completed, vacuum-purge air from system through the service port for the stop valve on the outdoor unit.

After completing procedures above, open outdoor unit stop valves stem fully. This completes connection of refrigerant circuit between indoor and outdoor units. Stop valve instructions are marked on outdoor unit.

- Apply a thin coat of refrigeration oil on the seat surface of pipe. (Fig. 5-9)
- For connection first align the center, then tighten the first 3 to 4 turns of flare nut.
- Use tightening torque table below as a guideline for indoor unit side union joint section, and tighten using two wrenches. Excessive tightening damages the flare section.

Copper pipe O.D. (mm)	Flare nut O.D.(mm)	Tightening torque (N·m)
ø6.35	17	14 - 18
ø9.52	22	34 - 42
ø12.7	26	49 - 61

⚠ Warning:

Be careful of flying flare nut! (Internally pressurized)

Remove the flare nut as follows:

1. Loosen the nut until you hear a hissing noise.
2. Do not remove the nut until the gas has been completely released (i.e., hissing noise stops).
3. Check that the gas has been completely released, and then remove the nut.

6. Drainage piping work

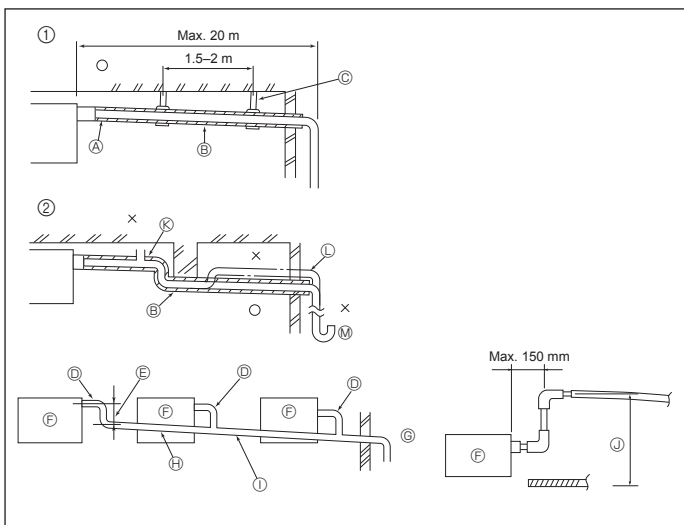


Fig. 6-1

6.1. Drainage piping work (Fig. 6-1)

- Use VP25 (O. D. ø32 PVC TUBE) for drain piping and provide 1/100 or more downward slope.
- Be sure to connect the piping joints using a polyvinyl type adhesive.
- Observe the figure for piping work.
- Use the included drain hose to change the extraction direction.

- | | |
|----------------------------------|-----------------|
| ① Correct piping | ⓐ Support metal |
| ② Wrong piping | ⓑ Air bleeder |
| Ⓐ Insulation (9 mm or more) | ⓒ Raised |
| Ⓑ Downward slope (1/100 or more) | ⓓ Odor trap |

Grouped piping

- ⓔ O. D. ø32 PVC TUBE
- ⓕ Make it as large as possible
- ⓖ Indoor unit
- ⓗ Make the piping size large for grouped piping.
- ⓓ Downward slope (1/100 or more)
- ⓙ O. D. ø38 PVC TUBE for grouped piping. (9 mm or more insulation)
- ⓚ Up to 500 mm

6. Drainage piping work

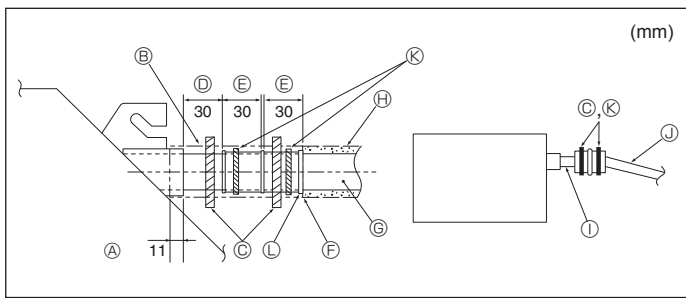


Fig. 6-2

1. Connect the drain socket (supplied with the unit) to the drain port. (Fig. 6-2) (Affix the tube using PVC adhesive then secure it with a band.)
 2. Install a locally purchased drain pipe (PVC pipe, O.D. $\phi 32$). (Affix the pipe using PVC adhesive then secure it with a band.)
 3. Insulate the tube and pipe. (PVC pipe, O.D. $\phi 32$ and socket)
 4. Check that drain flows smoothly.
 5. Insulate the drain port with insulating material, then secure the material with a band. (Both insulating material and band are supplied with the unit.)
- A Main unit
 B Insulating material
 C Band (large)
 D Drain port (transparent)
 E Insertion margin
 F Matching
 G Drain pipe (O.D. $\phi 32$ PVC TUBE)
 H Insulating material (purchased locally)
 I Transparent PVC pipe
 J O.D. $\phi 32$ PVC TUBE (Slope 1/100 or more)
 K Band (small)
 L Drain socket

7. Electrical work

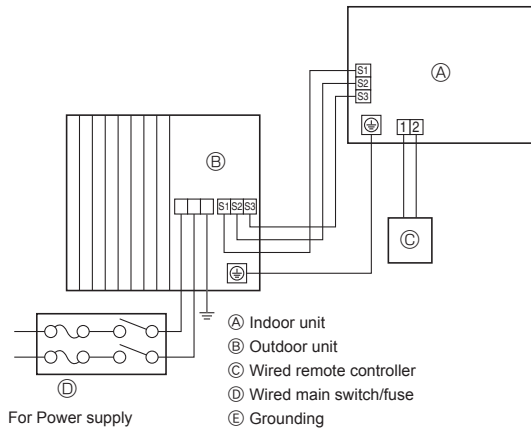


Fig. 7-1

7.1. Precautions (Fig. 7-1)

Electrical specification	Input capacity Main Switch/Fuse (A)		
	SLZ-KA25	SLZ-KA35	SLZ-KA50
Power supply (1 phase ~N, 230V, 50Hz)	10	10	20

- The compressor will not operate unless the power supply phase connection is correct.
- Grounding protection with a no-fuse breaker (earth leakage breaker [ELB]) is usually installed for D.
- The connection wiring between the outdoor and indoor units can be extended up to a maximum of 50 meters, and the total extension including the crossover wiring between rooms is a maximum of 80 m.

A switch with at least 3.5 mm contact separation in each pole shall be provided by the air conditioner installation.

* Label each breaker according to purpose (heater, unit etc.).

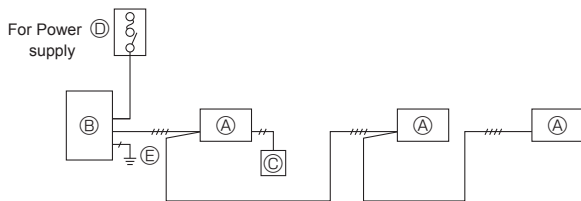


Fig. 7-2

- A Electric component cover
 B Electric component box
 C Entry for Indoor-Outdoor connecting cable
 D Entry for wired remote controller cable
 E Cable clamp
 F Indoor/Outdoor unit connecting terminal
 G Wired remote controller terminal (For SLZ-KA-VAQ3)
 H Indoor controller
 I Earth cable

7.2. Indoor unit (Fig. 7-2) (Fig. 7-3)

Work procedure

1. Remove 2 screws to detach the electric component cover.
 2. Route each cable through the wiring intake into the electric component box. (Procure power supply cable and indoor/outdoor connecting cable locally.)
 3. Securely connect the power supply cable and the indoor/outdoor connecting cable to the terminal blocks.
 4. Secure the cables with clamps outside the electric component box.
 5. Attach the electric component cover as it was.
- Fix power supply cable and indoor/outdoor connecting cable to electric component box by using buffer bushing for tensile force. (PG connection or the like.)

Warning:

- **Attach the electric component cover securely. If it is attached incorrectly, it could result in a fire, electric shock due to dust, water, etc.**
- **Use the specified indoor/outdoor unit connecting cable to connect the indoor and outdoor units and fix the cable to the terminal block securely so that no stress is applied to the connecting section of the terminal block. Incomplete connection or fixing of the cable could result in a fire.**

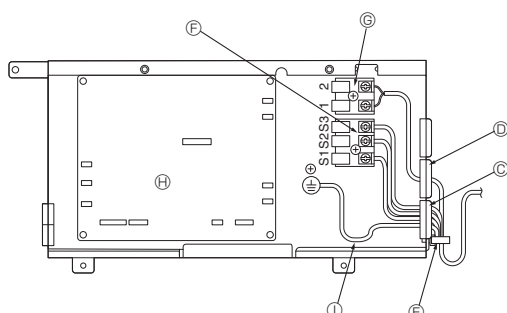


Fig. 7-3

7. Electrical work

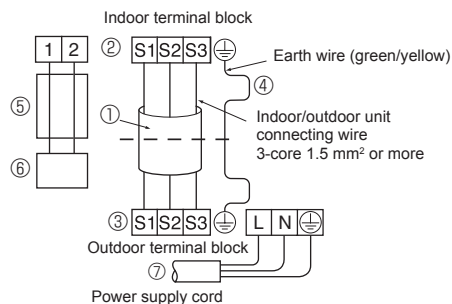


Fig. 7-4

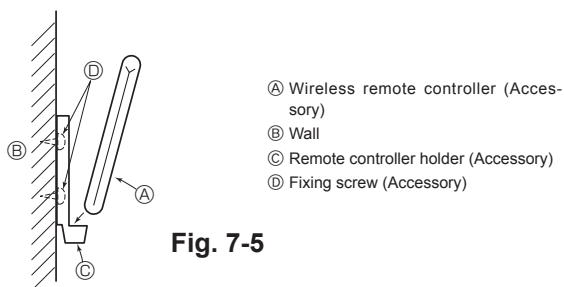


Fig. 7-5

- Perform wiring as shown in the diagram to the lower left. (Procure the cable locally). (Fig. 7-4)

Make sure to use cables of the correct polarity only.

- ① Connecting cable
Cable 3-core 1.5 mm², in conformity with Design 245 IEC 57.
- ② Indoor terminal block
- ③ Outdoor terminal block
- ④ Always install an earth wire (1-core 1.5 mm²) longer than other cables
- ⑤ Remote controller cable (non-polar)
Cable 2-core 0.3 mm²
The 10 m wire is attached in the remote controller accessory. Max. 500 m
- ⑥ Wired remote controller
- ⑦ Power supply cord

⚠ Caution:

- Use care not to make miswiring.
- Firmly tighten the terminal screws to prevent them from loosening.
- After tightening, pull the wires lightly to confirm that they do not move.
- Wiring for remote controller cable shall be apart (5 cm or more) from power source wiring so that it is not influenced by electric noise from power source wiring.

7.3. Remote controller

7.3.1. Wireless remote controller (Fig. 7-5)

1) Installation area

- Area in which the remote controller is not exposed to direct sunshine.
- Area in which there is no nearby heating source.
- Area in which the remote controller is not exposed to cold (or hot) winds.
- Area in which the remote controller can be operated easily.
- Area in which the remote controller is beyond the reach of children.

2) Installation method

- ① Attach the remote controller holder to the desired location using two tapping screws.
 - ② Place the lower end of the controller into the holder.
- The signal can travel up to approximately 7 meters (in a straight line) within 45 degrees to both right and left of the center line of the receiver.
 - In addition, the signal may not be received if there is interference of light of fluorescent lights or strong sunlight.

7.3.2. Wired remote controller

1) Installing procedures

Refer to the installation manual that comes with each remote controller for details.

2) Function selection of remote controller

If two remote controllers are connected, set one to "Main" and the other to "Sub". For setting procedures, refer to "Function selection of remote controller" in the operation manual for the indoor unit.

7.4. Function settings

7.4.1 Function setting on the unit (Selecting the unit functions)

1) FUNCTION

Indoor controller board

This model is equipped with the FUNCTION.
(the DIP switch on the indoor controller board)

When the indoor unit is controlled with the remote controller, the operation mode, set temperature, and the fan speed are memorized by the indoor controller board.

Factory default setting

SW3

1			5	ON
	2	3	4	OFF

Switch	Function	Switch setting	Setting
SW3-1	Power failure automatic recovery	ON	Available
		OFF	Not available
SW3-3	Fan speed when the heating thermostat is OFF	ON	Stop
		OFF	Extra low

7. Electrical work

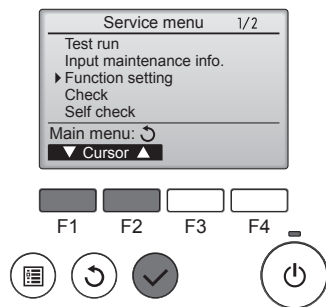


Fig. 7-6

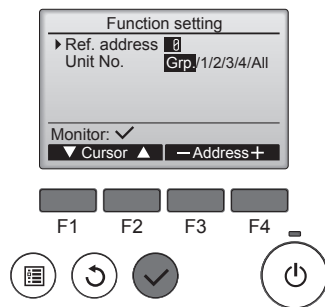


Fig. 7-7

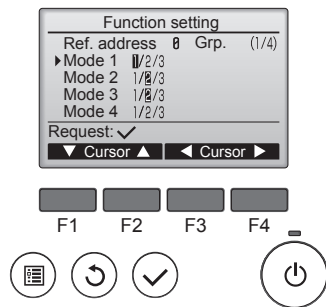


Fig. 7-8

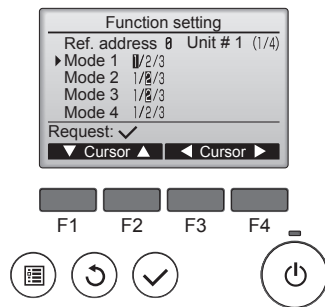


Fig. 7-9

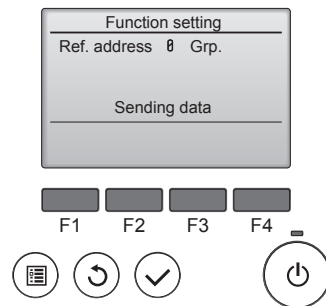


Fig. 7-10

For wired remote controller only

- ① (Fig. 7-6)
 - Select "Service" from the Main menu, and press the [SELECT] button.
 - Select "Function settings" with the [F1] or [F2] button, and press the [SELECT] button.
- ② (Fig. 7-7)
 - Set the indoor unit refrigerant addresses and unit numbers with the [F1] through [F4] buttons, and then press the [SELECT] button to confirm the current setting.

<Checking the Indoor unit No.>

When the [SELECT] button is pressed, the target indoor unit will start fan operation. If the unit is common or when running all units, all indoor units for the selected refrigerant address will start fan operation.

- ③ (Fig. 7-8)
 - When data collection from the indoor units is completed, the current settings appears highlighted. Non-highlighted items indicate that no function settings are made. Screen appearance varies depending on the "Unit No." setting.
- ④ (Fig. 7-9)
 - Use the [F1] or [F2] button to move the cursor to select the mode number, and change the setting number with the [F3] or [F4] button.
- ⑤ (Fig. 7-10)
 - When the settings are completed, press the [SELECT] button to send the setting data from the remote controller to the indoor units.
 - When the transmission is successfully completed, the screen will return to the Function setting screen.

Note:

- Make the above settings on Mr. Slim units as necessary.
- Table 1 summarizes the setting options for each mode number. Refer to the indoor unit Installation Manual for the detailed information about initial settings, mode numbers, and setting numbers for the indoor units.
- Be sure to write down the settings for all functions if any of the initial settings has been changed after the completion of installation work.

Function table

Select unit number 00

Mode	Settings	Mode no.	Setting no.	Initial setting	Setting
Power failure automatic recovery *1 (AUTO RESTART FUNCTION)	Not available	01	1	*1	
	Available		2	*1	
Indoor temperature detecting	Indoor unit operating average	02	1	○	
	Set by indoor unit's remote controller		2		
	Remote controller's internal sensor		3		
LOSSNAY connectivity	Not Supported	03	1	○	
	Supported (indoor unit is not equipped with outdoor-air intake)		2		
	Supported (indoor unit is equipped with outdoor-air intake)		3		
Power voltage	240 V	04	1		
	220 V, 230 V		2	○	

Select unit numbers 01 to 03 or all units (AL)

Mode	Settings	Mode no.	Setting no.	Initial setting	Setting
Filter sign	100 Hr	07	1		
	2500 Hr		2	○	
	No filter sign indicator		3		

*1 For this model, mode no. 1 cannot be set using the remote controller. Set this mode using DIP switch SW3-1 of the indoor controller board.

8. Installing the grille

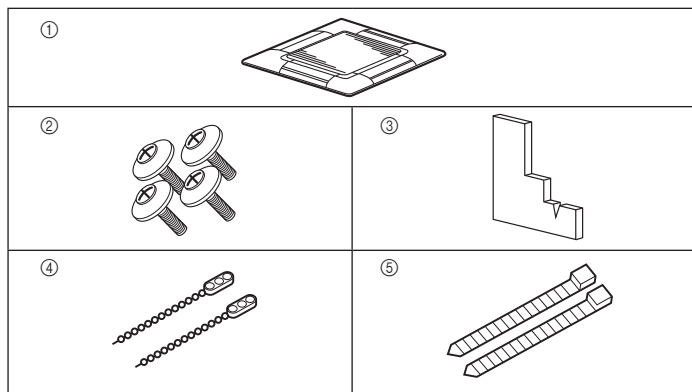


Fig. 8-1

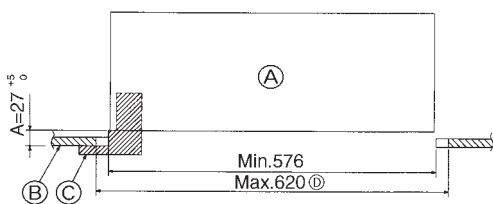


Fig. 8-2

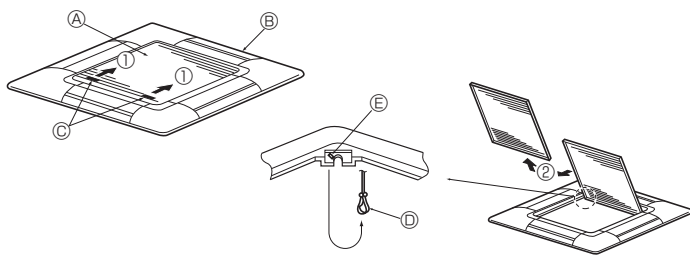


Fig. 8-3

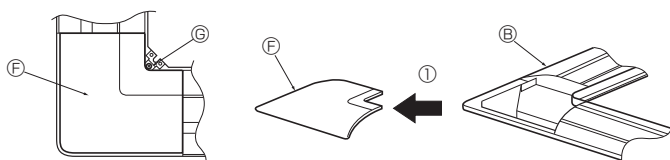


Fig. 8-4

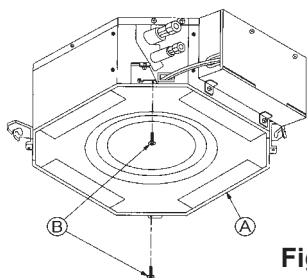


Fig. 8-5

8.1. Check the grille accessories (Fig. 8-1)

- The grille should be supplied with the following accessories.

	Accessory name	Q'ty	Remark
①	Grille	1	650 × 650 (mm)
②	Screw with washer	4	M5 × 0.8 × 25 (mm)
③	Gauge	1	
④	Fastener	2	
⑤	Band	2	

8.2. Preparing to attach the grille (Fig. 8-2)

- With the gauge supplied with this kit, adjust and check the positioning of the unit relative to the ceiling. If the unit is not properly positioned in the ceiling, there may be air leaks, condensation may form, or the up/down vanes may not operate correctly.

- Make sure that the opening in the ceiling is within the following tolerances: 576 × 576 - 620 × 620

- Make sure that step A is performed within 27-32 mm. Damage could result by failing to adhere to this range.

- Ⓐ Main unit
- Ⓑ Ceiling
- Ⓒ Gauge (Accessory)
- Ⓓ Ceiling opening dimensions

8.2.1. Removing the intake grille (Fig. 8-3)

- Slide the levers in the direction indicated by the arrow ① to open the intake grille.
- Unlatch the hook that secures the grille.

* Do not unlatch the hook for the intake grille.

- With the intake grille in the "open" position, remove the hinge of the intake grille from the grille as indicated by the arrow ②.

8.2.2. Removing the corner panel (Fig. 8-4)

- Remove the screw from the corner of the corner panel. Slide the corner panel as indicated by the arrow ① to remove the corner panel.

- Ⓐ Intake grille
- Ⓑ Grille
- Ⓒ Intake grille levers
- Ⓓ Grille hook
- Ⓔ Hole for the grille's hook
- Ⓕ Corner panel
- Ⓖ Screw

(mm)

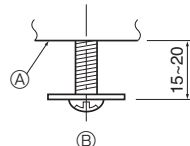
8.3. Installing the grille

- Please pay attention because there is a restriction in the attachment position of the grille.

8.3.1. Preparations (Fig. 8-5)

- Install the two enclosed screws with washer in the main unit (at the corner refrigerant pipe area and at the opposite corner) as shown in the diagram.

- Ⓐ Main unit
- Ⓑ Detailed diagram of installed screw with washer (accessory).



8. Installing the grille

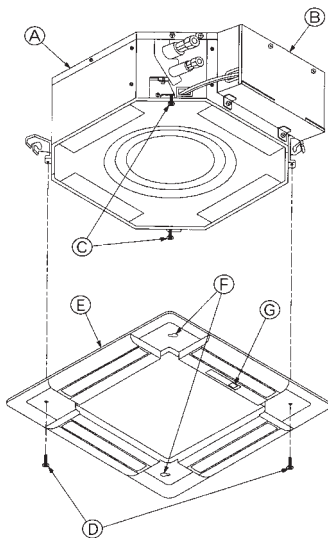


Fig. 8-6

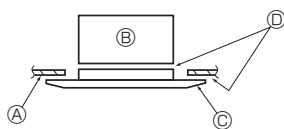


Fig. 8-7

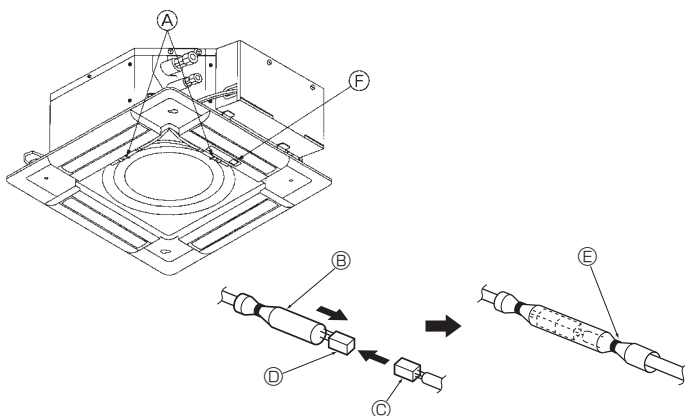


Fig. 8-8

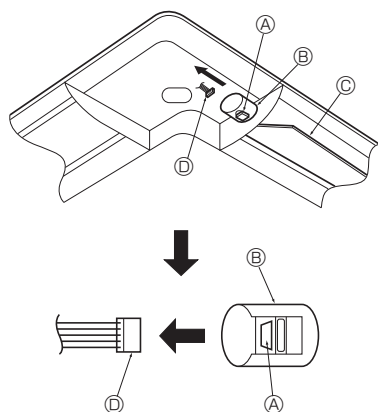


Fig. 8-9

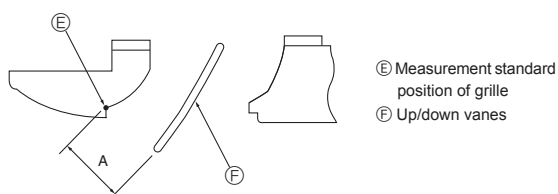


Fig. 8-10

8.3.2. Temporary installation of the grille (Fig. 8-6)

- Align the electric component box of the main unit and the receiver of the grille, and then temporarily secure the grille using the bell shaped holes.

* Make sure that the lead wiring of the grille does not get pinched between the grille and the main unit.

- Ⓐ Main unit
- Ⓑ Electric component box
- Ⓒ Screw with washer (for temporary use)
- Ⓓ Screw with washer (Accessory)
- Ⓔ Grille
- Ⓕ Bell shaped hole
- Ⓖ Receiver (For SLZ-KA-VAL3)

8.3.3. Securing the grille (Fig. 8-7)

- Secure the grille to the main unit by tightening the previously installed two screws (with captive washer) as well as the two remaining screws (with captive washer).

* Make sure that there are no gaps between the main unit and the grille or the grille and the ceiling.

⚠ Caution:

When tightening the screw with captive washer ②, tighten it at a torque of 4.8 N·m or less. Never use an impact screwdriver.

- It may result in parts damage.

- Ⓐ Ceiling
- Ⓑ Main unit
- Ⓒ Grille
- Ⓓ Make sure that there are no gaps.

8.3.4. Wire connection (Fig. 8-8)

- Be sure to connect the unit to the connector (white:10-pole/red:9-pole). Next, attach the white glass tube that comes with the main unit so that the tube covers the connector. Close the opening of the glass tube with the band.

- Make sure that there is no slack in the each lead wire at the fastener on the grille.

- Ⓐ Fastener (Accessory)
- Ⓑ White glass tube
- Ⓒ Connector of the main unit
- Ⓓ Connector of the grille
- Ⓔ Band (Accessory)
- Ⓖ Receiver (For SLZ-KA-VAL3)

8.4. Locking the up/down airflow direction (Fig. 8-9)

The vanes of the unit can be set and locked in on up or down orientation depending upon the environment of use.

- Set according to the preference of the customer.

The operation of the fixed up/down vanes and all automatic controls cannot be performed using the remote controller. In addition, the actual position of the vanes may differ from the position indicated on the remote controller.

- Turn off the main power switch.

Injuries and or an electrical shock may occur while the fan of the unit is rotating.

- Disconnect the connector for the vane motor of the vent that you want to lock. (While pressing the button, remove the connector in the direction indicated by the arrow as shown in the diagram.) After removing the connector, insulate it with tape.

- To adjust the desired airflow direction, slowly move the up/down vanes within the specified range. (Fig. 8-10)

Specified range

Up/down airflow direction	Horizontal 30°	Downward 45°	Downward 55°	Downward 70°
A (mm)	21	25	28	30

- The vanes can be set between 21 and 30 mm.

⚠ Caution:

Do not set the up/down vanes passed the specified range. Condensation could form on and drop from the ceiling, or the unit could malfunction.

8. Installing the grille

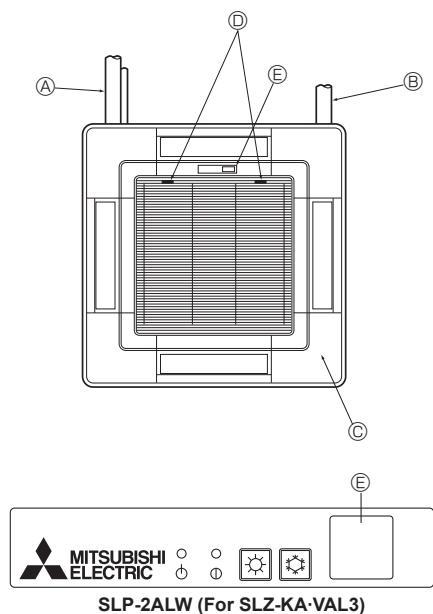


Fig. 8-11

8.5. Installing the intake grille (Fig. 8-11)

- Perform the procedure that is described in "8.2. Preparing to attach the grille" in reverse order to install the intake grille and the corner panel.
 - Ⓐ Refrigerant piping of the main unit
 - Ⓑ Drain piping of the main unit
 - Ⓒ Corner panel
 - * Installation in any position is possible.
 - Ⓓ Position of the levers on the intake grille when sent from the factory.
 - * Although the clips can be installed in any of four positions.
 - Ⓔ Receiver (For SLZ-KA-VAL3)

8.6. Check

- Make sure that there is no gap between the unit and the grille, or between the grille and the surface of the ceiling. If there is any gap between the unit and the grille, or between the grille and the surface of the ceiling, it may cause dew to collect.
- Make sure that the wires have been securely connected.

9. Test run

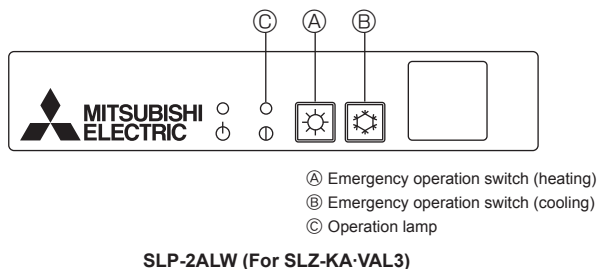


Fig. 9-1

9.1. Before test run

- After installation of indoor and outdoor units, and piping and electric wiring work, recheck that the unit is free from leaks of refrigerant, loosened connections, and incorrect polarity.
- Measure an impedance between the power supply terminal block (L, N, ⊕) on the units and the ground with a 500 V Megger and check that it is equal to or greater than 1.0 MΩ.

9.2. Test run

9.2.1. For wireless remote controller (Fig. 9-1)

Measure an impedance between the power supply terminal block on the outdoor unit and the ground with a 500 V Megger and check that it is equal to or greater than 1.0 MΩ.

- Before performing the test run, recheck for any wrong wiring. Wrong wiring prevents normal operation or results in blown fuse disabling operation.
- Perform test run in the following procedure.

Procedure

- Press the button (Ⓑ) for more than 3 seconds to start the cooling operation.

If the operation lamp (Ⓒ) blinks every 0.5 seconds, inspect the indoor/outdoor connecting wire for miswiring.

- Check that the vanes operate properly when cool air is blown out.
- Press it once more, and the operation stops.
- Press the button (Ⓐ) for more than 3 seconds to start the heating operation. Check that warm air blows out.
- In starting the heating operation, indoor unit fan may not operate to prevent blowing cool air. Please wait for a few minutes until the temperature of heat exchanger rises and warm air blows out.
- Press it once more, and the operation stops.

Checking the remote (infrared) signal reception

Press the ON/OFF button on the remote controller and check that an electronic sound is heard from the indoor unit. Press the ON/OFF button again to turn the air conditioner off.

Emergency operation (when wireless remote controller is lost)

The emergency operation can be started by pressing the button (Ⓑ)/(Ⓐ) (cooling/heating). When the button is once pressed, the unit will start the emergency operation at a fixed temperature setting of 24°C in cooling mode or heating mode.

Note:

- Emergency operation does not stop automatically.
- Although the thermostat is forcibly set to on during the test run, the temperature is set to 24°C during emergency operation and the thermostat operates according to the room temperature.

If the indoor unit is operated with the remote controller, both the test run and the emergency operation are released by commands from the remote controller.

Once the compressor stops, the restart preventive device operates so the compressor will not operate for three minutes to protect the air conditioner.

9. Test run

9.2.2. Wired remote controller

- Make sure to read operation manual before test run. (Especially items to secure safety)

Step 1 Turn on the power.

- Remote controller: The system will go into startup mode, and the remote controller power lamp (green) and "PLEASE WAIT" will blink. While the lamp and message are blinking, the remote controller cannot be operated. Wait until "PLEASE WAIT" is not displayed before operating the remote controller. After the power is turned on, "PLEASE WAIT" will be displayed for approximately 2 minutes.
 - Indoor controller board: LED 1 will be lit up, LED 2 will be lit up (if the address is 0) or off (if the address is not 0), and LED 3 will blink.
 - Outdoor controller board: LED 1 (green) and LED 2 (red) will be lit up. (After the startup mode of the system finishes, LED 2 will be turned off.) If the outdoor controller board uses a digital display, [-] and [-] will be displayed alternately every second.
- If the operations do not function correctly after the procedures in step 2 and thereafter are performed, the following causes should be considered and eliminated if they are found.
(The symptoms below occur during the test run mode. "Startup" in the table means the LED display written above.)

Symptoms in test run mode		Cause
Remote Controller Display	OUTDOOR BOARD LED Display < > indicates digital display.	
Remote controller displays "PLEASE WAIT", and cannot be operated.	After "startup" is displayed, only green lights up. <00>	• After power is turned on, "PLEASE WAIT" is displayed for 2 minutes during system startup. (Normal)
After power is turned on, "PLEASE WAIT" is displayed for 3 minutes, then error code is displayed.	After "startup" is displayed, green(once) and red(once) blink alternately. <F1>	• Incorrect connection of outdoor terminal block (R, S, T and S ₁ , S ₂ , S ₃ .)
	After "startup" is displayed, green(once) and red(twice) blink alternately. <F3, F5, F9>	• Outdoor unit's protection device connector is open.
No display appears even when remote controller operation switch is turned on. (Operation lamp does not light up.)	After "startup" is displayed, green(twice) and red(once) blink alternately. <EA, Eb>	• Incorrect wiring between the indoor and outdoor unit (Polarity is wrong for S ₁ , S ₂ , S ₃ .) • Remote controller transmission wire short.
	After "startup" is displayed, only green lights up. <00>	• There is no outdoor unit of address 0. (Address is other than 0.) • Remote controller transmission wire open.
Display appears but soon disappears even when remote controller is operated.	After "startup" is displayed, only green lights up. <00>	• After canceling function selection, operation is not possible for about 30 seconds. (Normal)

Step 2 Switch the remote controller to "Test run".

- Select "Test run" from the Service menu, and press the [SELECT] button. (Fig. 9-2)
- Select "Test run" from the Test run menu, and press the [SELECT] button. (Fig. 9-3)
- The test run operation starts, and the Test run operation screen is displayed.

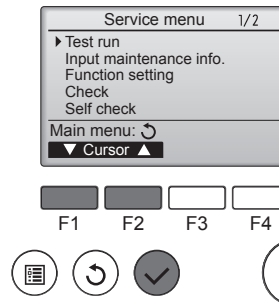


Fig. 9-2

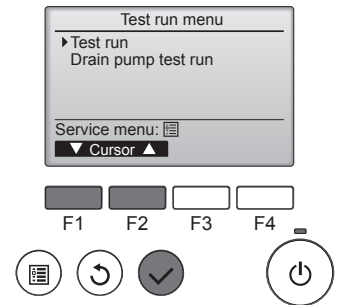


Fig. 9-3

Step 3 Perform the test run and check the airflow temperature and auto vane.

- Press the [F1] button to change the operation mode. (Fig. 9-4)
Cooling mode: Check that cool air blows from the unit.
Heating mode: Check that warm air blows from the unit.
- Press the [SELECT] button to display the Vane operation screen, and then press the [F1] and [F2] buttons to check the auto vane. (Fig. 9-5)
Press the [RETURN] button to return to the Test run operation screen.

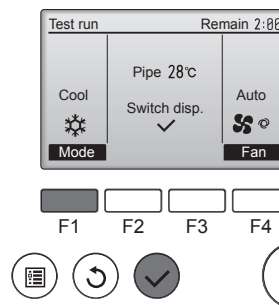


Fig. 9-4

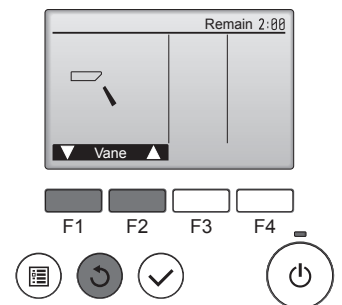


Fig. 9-5

9. Test run

Step 4 Confirm the operation of the outdoor unit fan.

The speed of the outdoor unit fan is controlled in order to control the performance of the unit. Depending on the ambient air, the fan will rotate at a slow speed and will keep rotating at that speed unless the performance is insufficient. Therefore, the outdoor wind may cause the fan to stop rotating or to rotate in the opposite direction, but this is not a problem.

Step 5 Stop the test run.

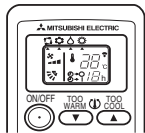
① Press the [ON/OFF] button to stop the test run. (The Test run menu will appear.)

Note: If an error is displayed on the remote controller, see the table below.

LCD	Description of malfunction	LCD	Description of malfunction	LCD	Description of malfunction
P1	Intake sensor error	P9	Pipe sensor error (dual-wall pipe)	E0 ~ E5	Communication error between the remote controller and the indoor unit
P2	Pipe sensor error (liquid pipe)	PA	Leakage error (refrigerant system)		
P4	Drain float switch connector disconnected (CN4F)	PL	Refrigerant circuit abnormal		
P5	Drain overflow protection operation	FB	Indoor controller board error	E6 ~ EF	Communication error between the indoor unit and the outdoor unit
P6	Freezing/overheating protection operation	U*, F* (* indicates an alphanumeric character excluding FB.)	Outdoor unit malfunction Refer to the wiring diagram for the outdoor unit.		
P8	Pipe temperature error				

See the table below for the details of the LED display (LED 1, 2, and 3) on the indoor controller board.

LED1 (microcomputer power supply)	Indicates whether control power is supplied. Make sure that this LED is always lit.
LED2 (remote controller power supply)	Indicates whether power is supplied to the wired remote controller. The LED is lit only for the indoor unit that is connected to the outdoor unit that has an address of 0.
LED3 (indoor/outdoor unit communication)	Indicates whether the indoor and outdoor units are communicating. Make sure that this LED is always blinking.



The OPERATION INDICATOR lamp comes on regardless of the remote controller display.



Fig. 9-6

9.3. Self-check

9.3.1. Wired remote controller

- Refer to the installation manual that comes with each remote controller for details.

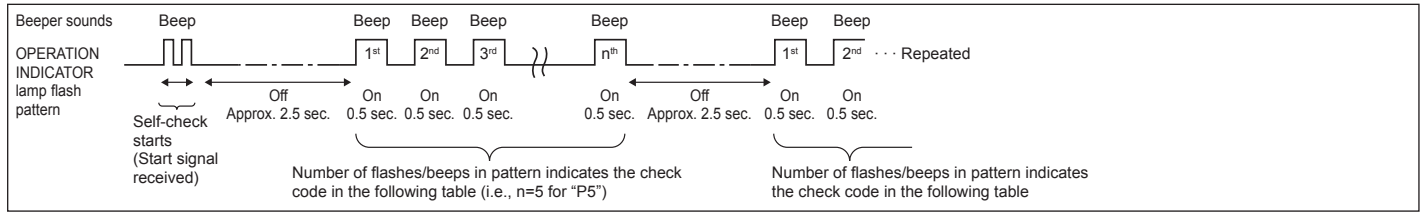
9.3.2. Wireless remote controller [SLZ-KA-VAL3 only] (Fig. 9-6)

- ① Turn ON the power.
- ② While pressing both the MODE SELECT button and TOO COOL button on the remote controller at the same time, press the RESET button.
- ③ Release the RESET button.
- ④ Release the other two buttons. After three seconds, all items in the LCD are displayed.
- ⑤ Transmit the signal of remote controller by pressing the OPERATE/STOP (ON/OFF) button on the remote controller.
(The above procedure allows OPERATION INDICATOR lamp to indicate the failure-mode.)
- ⑥ Transmit the signal of remote controller by pressing the OPERATE/STOP (ON/OFF) button to stop the self-check.

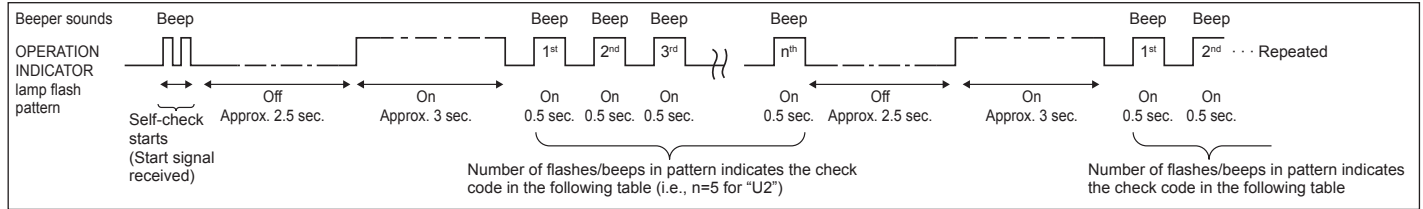
9. Test run

- Refer to the following tables for details on the check codes.

[Output pattern A]



[Output pattern B]



[Output pattern A] Errors detected by indoor unit

Wired remote controller	Wireless remote controller	Symptom	Remark
Beeper sounds/OPERATION INDICATOR lamp flashes (Number of times)	Check code		
1	P1	Intake sensor error	
2	P2	Pipe (TH2) sensor error	
	P9	Pipe (TH5) sensor error	
3	E6, E7	Indoor/outdoor unit communication error	
4	P4	Drain sensor error	
5	P5	Drain pump error	
	PA	Forced compressor error	
6	P6	Freezing/Overheating safeguard operation	
7	EE	Communication error between indoor and outdoor units	
8	P8	Pipe temperature error	
9	E4	Remote controller signal receiving error	
10	—	—	
11	—	—	
12	Fb	Indoor unit control system error (memory error, etc.)	
14	PL	Refrigerant circuit abnormal	

[Output pattern B] Errors detected by unit other than indoor unit (outdoor unit, etc.)

Wireless remote controller	Wired remote controller	Symptom	Remark
Beeper sounds/OPERATION INDICATOR lamp flashes (Number of times)	Check code		
1	E9	Indoor/outdoor unit communication error (Transmitting error) (Outdoor unit)	For details, check the LED display of the outdoor controller board.
2	UP	Compressor overcurrent interruption	
3	U3, U4	Open/short of outdoor unit thermistors	
4	UF	Compressor overcurrent interruption (When compressor locked)	
5	U2	Abnormal high discharging temperature/49C worked/insufficient refrigerant	
6	U1, Ud	Abnormal high pressure (63H worked)/Overheating safeguard operation	
7	U5	Abnormal temperature of heat sink	
8	U8	Outdoor unit fan safeguard stop	
9	U6	Compressor overcurrent interruption/Abnormal of power module	
10	U7	Abnormality of super heat due to low discharge temperature	
11	U9, UH	Abnormality such as overvoltage or voltage shortage and abnormal synchronous signal to main circuit/Current sensor error	
12	—	—	
13	—	—	
14	Others	Other errors (Refer to the technical manual for the outdoor unit.)	

*1 If the beeper does not sound again after the initial two beeps to confirm the self-check start signal was received and the OPERATION INDICATOR lamp does not come on, there are no error records.

*2 If the beeper sounds three times continuously "beep, beep, beep (0.4 + 0.4 + 0.4 sec.," after the initial two beeps to confirm the self-check start signal was received, the specified refrigerant address is incorrect.

9. Test run

- On wireless remote controller
The continuous buzzer sounds from receiving section of indoor unit.
Blink of operation lamp
 - On wired remote controller
Check code displayed in the LCD.
- If the unit cannot be operated properly after the above test run has been performed, refer to the following table to remove the cause.

Symptom		Cause
Wired remote controller		
PLEASE WAIT	For about 2 minutes following power-on	• For about 2 minutes following power-on, operation of the remote controller is not possible due to system start-up. (Correct operation)
PLEASE WAIT → Error code	After about 2 minutes has expired following power-on	• Connector for the outdoor unit's protection device is not connected. • Reverse or open phase wiring for the outdoor unit's power terminal block
Display messages do not appear even when operation switch is turned ON (operation lamp does not light up).		• Incorrect wiring between indoor and outdoor units (incorrect polarity of S1, S2, S3) • Remote controller wire short

On the wireless remote controller with condition above, following phenomena takes place.

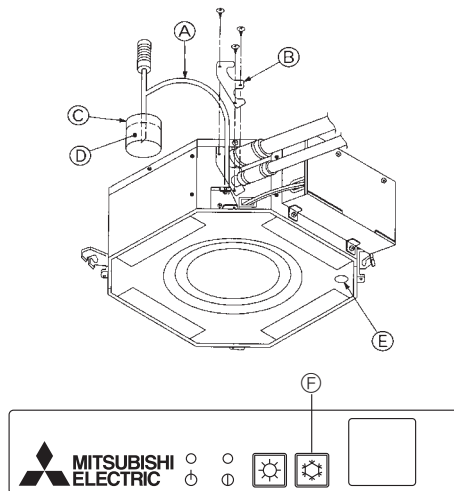
- No signals from the remote controller are accepted.
- OPE lamp is blinking.
- The buzzer makes a short piping sound.

Note:

Operation is not possible for about 30 seconds after cancellation of function selection. (Correct operation)

For description of each LED (LED1, 2, 3) provided on the indoor controller, refer to the following table.

LED1 (power for microcomputer)	Indicates whether control power is supplied. Make sure that this LED is always lit.
LED2 (power for wired remote controller)	Indicates whether power is supplied to the wired remote controller.
LED3 (communication between indoor and outdoor units)	Indicates state of communication between the indoor and outdoor units. Make sure that this LED is always blinking.



SLP-2ALW (For SLZ-KA-VAL3)

Fig. 9-7

9.4. Check drainage

9.4.1. For wireless remote controller (Fig. 9-7)

- During the test run, ensure the water is being properly drained out and that no water is leaking from joints.
 - Always check this during installation even if the unit is not required to provide cooling/drying at that time.
 - Similarly, check the drainage before finishing ceiling installation in a new premises.
- Remove the cover of the water supply inlet and add about 1000 cc of water using a water supply pump etc. During this process, be careful not to spray water into the drain pump mechanism.
 - Switching on emergency operation switch (cooling) on the grille.
 - Confirm that water is being drained out through the drainage outlet.
 - After checking the drainage, ensure that the cover is replaced and the power supply is isolated.
 - After confirming the drainage system is functioning, replace the drain plug.
- A Insert the pump end 3 to 5 cm D Water
 B Cover of water supply inlet E Drain plug
 C About 1000 cc F Emergency operation switch (cooling)

9.4.2. For wired remote controller

- Remove the cover of the water supply inlet and add about 1000 cc of water using a water supply pump etc. During this process, be careful not to spray water into the drain pump mechanism.
- Confirm that water is being drained out through the drainage outlet, after switching over from remote control mode to test run mode (cooling mode).
- After checking the drainage, ensure that the cover is replaced and the power supply is isolated.
- After confirming the drainage system is functioning, replace the drain plug.

Содержание

1. Меры предосторожности.....	137	6. Дренажные трубы.....	141
2. Выбор места установки.....	137	7. Электромонтажные работы.....	142
3. Диаграмма установки.....	138	8. Установка вентиляционной решетки.....	145
4. Установка внутреннего прибора.....	138	9. Выполнение испытания.....	147
5. Подготовка трубопровода охладителя.....	140		

Примечание:

В этом руководстве по использованию аппарата фраза “проводной пульт дистанционного управления” относится к пульту дистанционного управления PAR-31MAA.

Сведения о других пультах дистанционного управления приводятся в руководстве по установке или руководстве по начальным настройкам, находящемся в этих коробках.

1. Меры предосторожности

- Обязательно прочтите раздел “Меры предосторожности” до установки кондиционера.
- Обязательно соблюдайте меры предосторожности, изложенные ниже, поскольку в них содержатся важные с точки зрения безопасности положения.
- Символика, используемая в данном руководстве, имеет следующие значения.

⚠ Предупреждение:

Невыполнение данного требования может привести к смертельному исходу, тяжелой травме и т.д.

⚠ Осторожно:

Неправильное выполнение данной инструкции в определенных условиях может привести к тяжелой травме.

⚠ Предупреждение:

- Самостоятельная установка данного прибора (клиентом) запрещается. Незавершенная установка может привести к травме вследствие пожара, поражения электрическим током, падения прибора или утечки воды. Обратитесь к специалисту по установке или к дилеру, у которого вы приобрели данный прибор.
- Надежно устанавливайте прибор в месте, способном выдержать его вес. Установка прибора в месте недостаточной прочности может привести к падению прибора и получению травм.
- Используйте провода указанных параметров для надежного соединения внутреннего и наружного приборов. Надежно закрепите провода в секторе соединений выводного щитка, чтобы натяжение проводов не передавалось в секторы соединений.
- Незавершенные соединения и крепление проводов могут привести к пожару.
- Не используйте промежуточные соединения в шнуре питания или удлинитель шнура питания, и не подсоединяйте несколько приборов к одной розетке переменного тока. Это может привести к пожару или поражению электрическим током вследствие дефекта контакта, дефекта изоляции, превышения допустимого тока в сети и т.д.
- Убедитесь в отсутствии утечки газа хладагента после завершения установки.
- Выполняйте установку с соблюдением правил безопасности, используя руководство по установке в качестве справочника. Незавершенная установка может привести к личной травме вследствие пожара, поражения электрическим током, падения прибора или утечки воды.
- Выполняйте электромонтажные работы в соответствии с руководством по установке и обязательно используйте отдельный контур питания. При недостаточной мощности контура питания или в случае незавершенных электромонтажных работ возможен пожар или поражение электрическим током.
- Запрещается самостоятельный ремонт или перемещение прибора.

⚠ Осторожно:

- Выполните заземление. Запрещается подключать провод заземления к стопорным механизмам газовых и водопроводных труб, а также проводу телефонного заземления. Дефект заземления может привести к поражению электрическим током.
- Запрещается устанавливать прибор в местах утечки воспламеняющихся газов. При утечке и скоплении газа рядом с прибором возможен взрыв.
- Установите прерыватель утечки тока на землю с учетом конкретного места установки (во влажных местах). Если прерыватель утечки тока на землю не установлен, возможно поражение электрическим током.

2. Выбор места установки

2.1. Внутренний прибор

- Где нет преград на пути движения воздушного потока.
- Где прохладный воздух распространяется по всем углам помещения.
- Где прибор не подвержен воздействию прямых солнечных лучей.
- На расстоянии по меньшей мере 1 м от телевизора и радиоприемника. (во избежание помех изображения или создания дополнительного шума).
- Как можно дальше от люминесцентных ламп и ламп накаливания (с тем, чтобы можно было использовать пульт дистанционного управления для нормальной работы с прибором).

2.2. Установка беспроводного пульта дистанционного управления (Для SLZ-KA-VAL3)

- Место крепления
 - Где им легко пользоваться, и где его хорошо видно.
 - В недоступном для детей месте.

Крепление

Выберите место на высоте около 1,2 м от уровня пола и убедитесь в том, что с этой позиции сигналы с пульта дистанционного управления безошибочно принимаются внутренним прибором (при приеме сигнала слышен одиночный или двукратный тональный гудок). Затем прикрепите держатель пульта дистанционного управления к колонне или стене и установите в него беспроводной пульт дистанционного управления.

- После прочтения данного руководства обязательно храните его вместе с руководством по эксплуатации в легкодоступном месте в помещении, где данное оборудование эксплуатируется клиентом.

⚡ : Указывает, что данная часть должна быть заземлена.

⚠ Предупреждение:

Внимательно прочтите текст на этикетках главного прибора.

- Установку необходимо выполнять в соответствии с действующими правилами электробезопасности.
- Поврежденный кабель из комплекта поставки должен быть заменен в целях безопасности производителем, сервисным агентом или лицами, обладающими необходимой квалификацией.
- Надежно прикрепите крышку электрического компонента к внутреннему прибору, а сервисную панель – к наружному прибору. Если крышка электрического компонента и сервисная панель ненадежно прикреплены соответственно к внутреннему и наружному приборам, это может привести к пожару или поражению электрическим током вследствие попадания пыли, воды и т.д. внутрь приборов.
- При выполнении работ по установке обязательно используйте детали, входящие в комплект поставки, или детали, характеристики которых приводятся в данном руководстве. Использование дефектных деталей может привести к травме или утечке воды вследствие пожара, поражения электрическим током, падения прибора и т.д.
- В случае утечки охладителя во время выполнения работ проверьте комнату. Если охладитель вступит в контакт с огнем, то при этом образуется токсичный газ.
- При монтаже или перемещении, а также при обслуживании кондиционера используйте только указанный хладагент (R410A) для заполнения трубопроводов хладагента. Не смешивайте его ни с каким другим хладагентом и не допускайте наличия воздуха в трубопроводах. Наличие воздуха в трубопроводах может вызывать скачки давления, в результате которых может произойти взрыв или другие повреждения. Использование любого хладагента, отличного от указанного для этой системы, вызовет механическое повреждение, сбои в работе системы, или выход устройства из строя. В наихудшем случае, это может послужить серьезной преградой к обеспечению безопасной работы этого изделия.

- Надежно выполняйте соединения дренажных труб/трубных соединений в соответствии с требованиями руководства по установке. В случае дефекта соединений дренажных труб/трубных соединений возможно капание воды из прибора и повреждение имущества в помещении вследствие намокания.
- Затягивайте конусную гайку с помощью тарированного ключа с крутящим моментом, указанным в данном руководстве. Слишком сильная затяжка конусной гайки может привести к поломке гайки через некоторое время, результатом чего станет утечка хладагента.

- Где можно легко снимать и устанавливать на место воздушный фильтр.

⚠ Предупреждение:

Устанавливайте внутренний прибор на потолок, достаточно прочный, чтобы выдержать вес прибора.

В помещениях, где используются люминесцентные лампы инверторного типа, сигналы с беспроводного пульта дистанционного управления могут не приниматься прибором.

3. Диаграмма установки

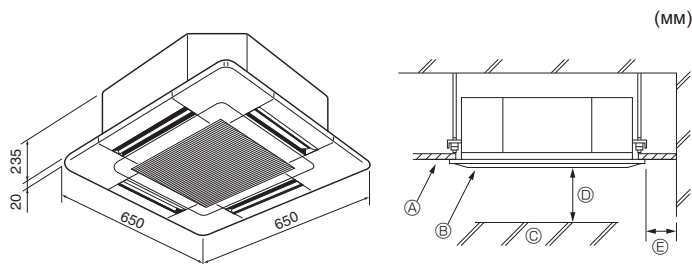


Fig. 3-1

3.1. Внутренний прибор (Fig. 3-1)

- Ⓐ Потолок
- Ⓑ Решетка
- Ⓒ Препятствие
- Ⓓ Мин. 1000 мм
- Ⓔ Мин. 500 мм (Весь периметр)

При необходимости обеспечить пространство для технического обслуживания в Ⓓ, оставьте не менее 700 мм.

⚠ Предупреждение:

Устанавливайте внутренний прибор на потолок, достаточно прочный, чтобы выдержать вес прибора.

3.2. Наружный прибор

Обратитесь к руководству по установке наружного прибора.

4. Установка внутреннего прибора

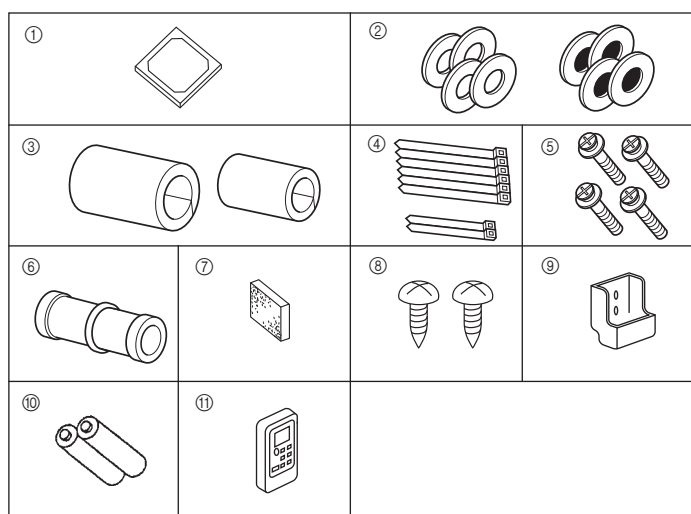


Fig. 4-1

4.1. Проверьте наличие дополнительных принадлежностей к внутреннему прибору (Fig. 4-1)

Внутренний прибор должен поставляться в комплекте со следующими дополнительными принадлежностями:

	Название приспособления	Количество
①	Установочный шаблон	1
②	Прокладка (с изоляцией)	4
	Прокладка (без изоляции)	4
③	Изоляция для труб (для соединения труб хладагента) малого диаметра (жидкости)	1
	большого диаметра (газа)	1
④	Лента (большая)	6
	Лента (малая)	2
⑤	Винт с прокладкой (M5 × 25) для установки решетки	4
⑥	Соединительная муфта для дренажа	1
⑦	Изоляция	1
⑧	Шуруп крепления для Ⓣ 3,5 × 16 (черный) (для SLZ-KA-VAL3)	2
⑨	Держатель пульта дистанционного управления (для SLZ-KA-VAL3)	1
⑩	Батарейка (AAA) (для SLZ-KA-VAL3)	2
⑪	Беспроводной пульт дистанционного управления (для SLZ-KA-VAL3)	1

4.2. Расположение отверстия в потолке и навесных болтов (Fig. 4-2)

• С помощью установочного шаблона (верх упаковки) и калибра (поставляется в комплекте дополнительных принадлежностей к решетке) проделайте отверстие в потолке таким образом, чтобы главный прибор можно было установить, как показано на диаграмме. (Метод использования шаблона и калибра указан.)

* Прежде, чем использовать шаблон и калибр, проверьте их размеры, поскольку они меняются из-за перепадов температур и влажности.

* Размеры отверстия в потолке можно регулировать в диапазоне, указанном на схеме; поэтому расположите главный прибор напротив отверстия в потолке, убедившись, что соответствующие противоположные стороны на всех сторонах зазора между ними одинаковы.

• Используйте навесные болты M10 (3/8").

* Навесные болты приобретаются на месте.

• Выполните установку, убедившись, что между потолочной панелью и решеткой, а также между главным прибором и решеткой нет зазора.

- Ⓐ Внешняя сторона главного прибора
- Ⓑ Шаг болта
- Ⓒ Потолочное отверстие
- Ⓓ Внешние стороны решетки
- Ⓔ Решетка
- Ⓕ Потолок
- Ⓖ Мин. 500 мм (Весь периметр)
- Ⓢ Пространство для технического обслуживания
- Ⓣ Впуск свежего воздуха
- Ⓤ Угол
- Ⓥ Коробка электрических компонентов

При необходимости обеспечить пространство для технического обслуживания в Ⓒ, оставьте не менее 700 мм.

* Заметьте, что между потолочной панелью прибора и потолочной плитой и т.д. следует оставить расстояние от 10 до 15 мм слева.

* Оставьте пространство для технического обслуживания в конце коробки электрических компонентов.

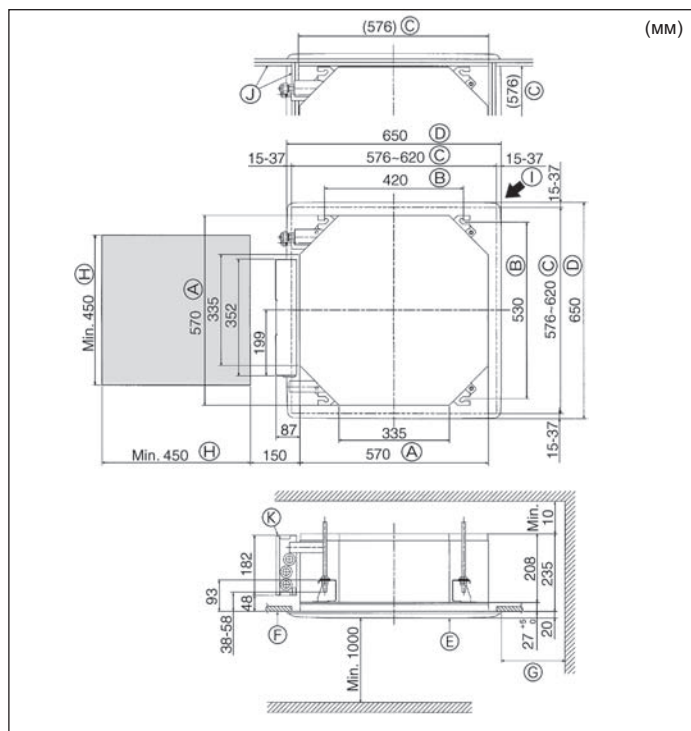


Fig. 4-2

4. Установка внутреннего прибора

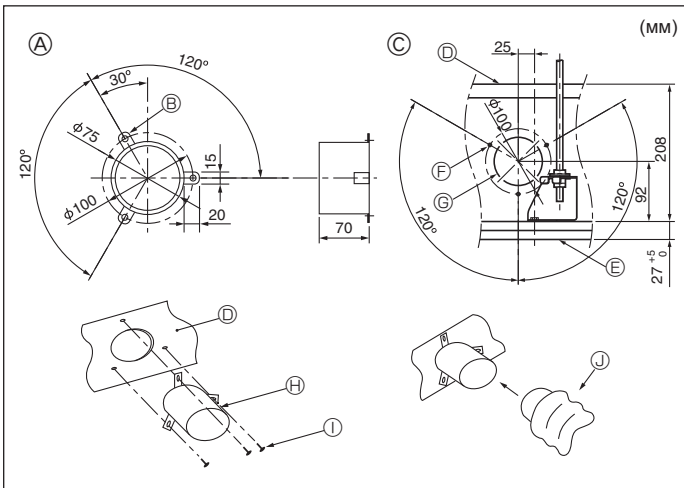


Fig. 4-3

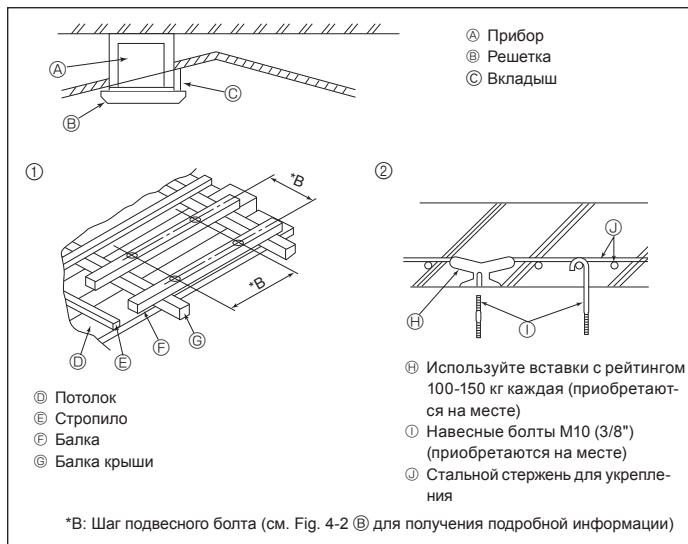


Fig. 4-4

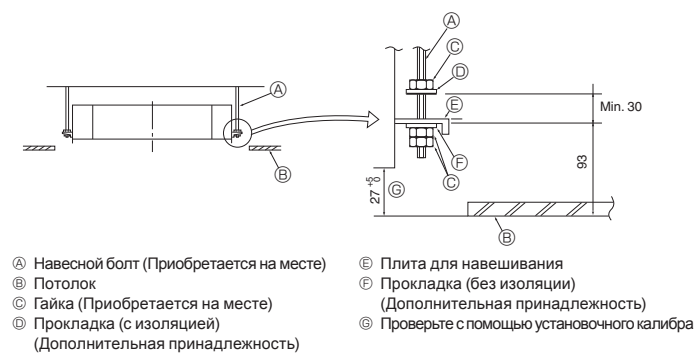


Fig. 4-5

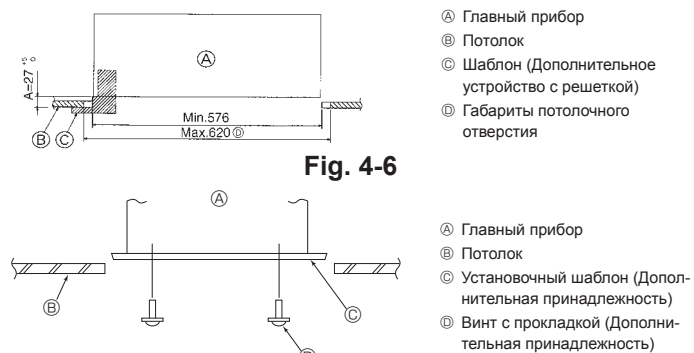


Fig. 4-6



Fig. 4-7

4.3. Установка короба (в случае использования впуска свежего воздуха) (Fig. 4-3)

⚠ Осторожно:

Соединение канального вентилятора и кондиционера
Если используется канальный вентилятор, убедитесь, что при заборе наружного воздуха он соединен с кондиционером.
Запрещается использовать только вентилятор. Такое использование может привести к образованию капель росы.

Создание фланца короба (подготавливается на месте)

• Рекомендуется использовать фланец короба с формой, как показано слева.

Установка фланца короба

• Создайте вырезанное отверстие. Запрещается пробивать отверстие.
• Установите фланец короба к вырезанное отверстие внутреннего прибора с помощью трех приобретенных на месте самонарезающих винтов 4 × 10.

Установка короба (подготавливается на месте)

• Подготовьте короб, внутренний диаметр которого помещается в наружный диаметр фланца короба.
• Если выше потолка наблюдается среда с высокой температурой и высокой влажностью, заверните короб в теплоизоляцию во избежание образования капель росы на стене.

- Ⓐ Рекомендованная форма фланца короба (Толщина: 0,8 или более)
- Ⓑ 3 отверстия с $\phi 5$
- Ⓒ Подробный чертеж впуска свежего воздуха
- Ⓓ Внутренний прибор
- Ⓔ Поверхность потолка
- Ⓕ 3 отверстия со снятием заусениц $\phi 2,8$
- Ⓖ вырезное отверстие $\phi 73,4$
- Ⓗ Фланец короба (подготавливается на месте)
- Ⓘ Самонарезающий винт 4 × 10 (подготавливается на месте)
- ⓵ Короб

4.4. Подвесная конструкция (Обеспечьте прочность на месте подвешивания) (Fig. 4-4)

• Потолочные конструкции могут быть разными, в зависимости от конструкции здания. Следует проконсультироваться со строительной и ремонтной организацией.

- (1) Снятие потолочного покрытия: Потолок должен быть абсолютно горизонтальным и потолок (деревянные плиты и балки) следует укрепить, чтобы обеспечить защиту потолка от вибрации.
- (2) Вырежьте участок потолочной плиты и снимите его.
- (3) Укрепите края потолочной плиты по местам среза и закрепите ее дополнительным материалом по краям.
- (4) При установке прибора на скошенный потолок установите вкладыш между потолком и решеткой так, чтобы прибор можно было установить в горизонтальном положении.

① Деревянные конструкции

- В качестве укрепления используйте анкерные балки (одноэтажные дома) или балки перекрытия (двухэтажные дома).
- Деревянные балки для подвешивания кондиционера должны быть прочными и их боковые стороны должны быть длиной не менее 6 см, если балки разделяются не более, чем 90 см; их боковые стороны должны быть длиной не менее 9 см, если балки разделяются расстоянием 180 см. Размер навесных болтов должен быть $\phi 10$ (3/8"). (Болты не поставляются вместе с прибором.)

② Железобетонные конструкции

Закрепляют навесные болты, используя указанный метод, или используйте стальные или деревянные подвесные крепления и т.д. для установки навесных болтов.

4.5. Порядок подвешивания прибора (Fig. 4-5)

Подвешивайте главный прибор, как указано на диаграмме.

1. Заранее установите детали на навесные болты в следующем порядке: прокладку (с изоляцией), прокладку (без изоляции) и гайки (двойные).
 - Установите прокладку с изоляцией таким образом, чтобы изоляция была направлена вниз.
 - При использовании верхних прокладок для подвешивания главного прибора нижние прокладки (с изоляцией) и гайки (двойные) устанавливаются позднее.
2. Поднимите прибор на требуемую высоту до навесных болтов, чтобы вставить плиту для навешивания прибора между прокладками, а затем надежно закрепите ее.
3. Если нельзя совместить главный прибор с отверстием для навешивания на потолке, регулировка производится с помощью щели, имеющейся на плите для навешивания прибора. (Fig. 4-6)
 - Убедитесь в том, что операция А выполняется в пределах 27-32 мм. Несоблюдение данного предела может в результате привести к повреждениям.

4.6. Проверка расположения главного прибора и затягивание навесных болтов (Fig. 4-7)

- С помощью калибра, прикрепленного к решеткам, убедитесь, что низ главного прибора сориентирован должным образом по отношению к потолочному отверстию. Подтвердите это, в противном случае возможно капание конденсации вследствие проникновения воздуха и т.д.
 - Убедитесь, что главный прибор установлен строго по горизонтали: используйте уровень или виниловую трубку, наполненную водой.
 - После проверки расположения главного прибора надежно затяните гайки навесных болтов, чтобы закрепить главный прибор.
 - Установочный шаблон можно использовать в качестве защитного кожуха для предотвращения попадания пыли внутрь главного прибора, пока решетки не установлены, или при отделке потолка по окончании установки прибора.
- * Дополнительная информация по монтажу приводится на самом установочном шаблоне.

5. Подготовка трубопровода охладителя

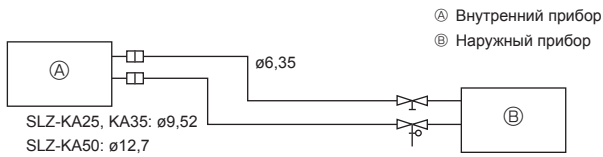


Fig. 5-1

5.1. Трубопровод охладителя (Fig. 5-1)

Подготовка трубопровода

- Трубы трубопровода охладителя длиной 3, 5, 7, 10 и 15 м доступны как дополнительные устройства.

- (1) В таблице ниже представлены технические характеристики имеющихся в продаже труб.

Модель	Труба	Наружный диаметр		Мин. толщина стены	Толщина изоляции	Изоляционный материал
		мм	дюймы			
SLZ-KA25	Для жидкости	6,35	1/4	0,8 мм	8 мм	Термоустойчивый пенопласт с удельной массой 0,045
	Для газа	9,52	3/8	0,8 мм	8 мм	
SLZ-KA35	Для жидкости	6,35	1/4	0,8 мм	8 мм	
	Для газа	9,52	3/8	0,8 мм	8 мм	
SLZ-KA50	Для жидкости	6,35	1/4	0,8 мм	8 мм	
	Для газа	12,7	1/2	0,8 мм	8 мм	

- (2) Обеспечьте изоляцию 2 труб для охладителя для предотвращения образования конденсации.

- (3) Радиус изгиба трубы для охладителя должен быть не менее 100 мм.

⚠ Осторожно:

Используйте надлежащую изоляцию указанной толщины. Изоляция чрезмерной толщины занимает все место позади внутреннего прибора, изоляция меньшей толщины является причиной капания влаги.

5.2. Развальцовка

- Основной причиной утечки газа являются дефекты развальцовки. Правильно выполняйте развальцовку в нижеописанной процедуре.

5.2.1. Резка труб (Fig. 5-2)

- Правильно режьте медную трубу с помощью трубореза.

5.2.2. Удаление заусениц (Fig. 5-3)

- Полностью удалите заусеницы с разрезанного поперечного сечения трубы.
- При удалении заусениц наклоните медную трубу вниз, чтобы удаленные заусеницы не попали внутрь трубы.

5.2.3. Насадка гаек (Fig. 5-4)

- Снимите конусные гайки, прикрепленные к внутреннему и наружному приборам, затем насадите их на трубу после полного удаления заусениц. (после развальцовки насадка гаек невозможна)

5.2.4. Развальцовка (Fig. 5-5)

- Выполните развальцовку с помощью развальцовочного инструмента, как показано ниже.

Диаметр трубы (мм)	Размер	
	A (мм)	B $\pm 0,4$ (мм)
	При использовании инструмента для R410A	
	Тип муфты	
6,35	0 - 0,5	9,1
9,52	0 - 0,5	13,2
12,7	0 - 0,5	16,6

Твердо зажмите медную трубу в обжимке, соблюдая размер, указанный в таблице выше.

5.2.5. Проверка (Fig. 5-6)

- Сравните результаты развальцовки с рисунком справа.
- При обнаружении дефекта на развальцовке обрежьте развальцованный участок и выполните развальцовку снова.

- | | |
|--|---|
| Ⓐ Ровный край по всему диаметру | Ⓜ Царапина на развальцовочной плоскости |
| Ⓑ Блестящая внутренняя поверхность без царапин | Ⓨ Трещина |
| Ⓒ Одинаковая длина по всему диаметру | Ⓩ Неровный край |
| Ⓓ Слишком | ⓐ Примеры неправильного состояния трубы |
| Ⓔ Скошенный край | |

5.3. Расположение трубопроводов охладителя и дренажа (Fig. 5-7)

- Ⓐ Дренажная труба
- Ⓑ Потолок
- Ⓒ Решетка
- Ⓓ Труба для охладителя (жидкость)
- Ⓔ Труба для охладителя (газ)
- Ⓛ Впуск подачи воды
- Ⓜ Главный прибор

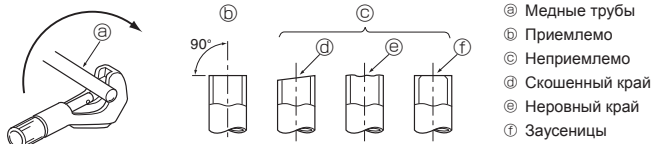


Fig. 5-2

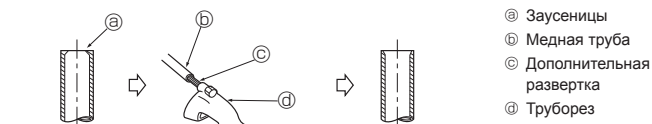


Fig. 5-3

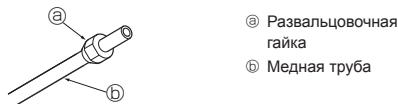


Fig. 5-4

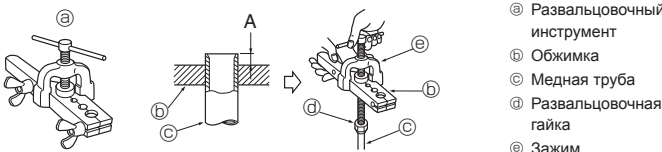


Fig. 5-5

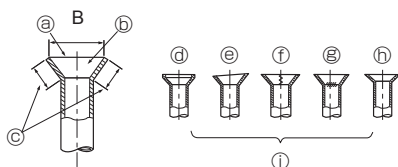


Fig. 5-6

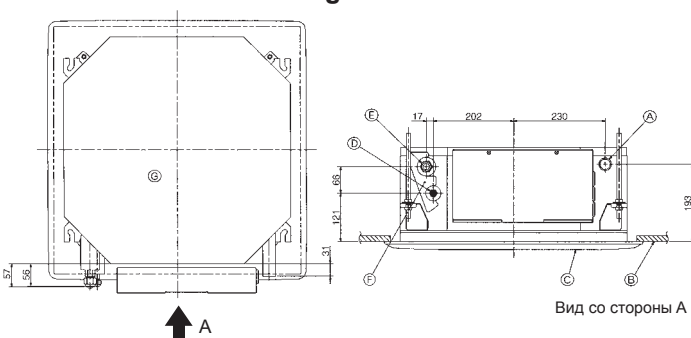


Fig. 5-7

5. Подготовка трубопровода охладителя

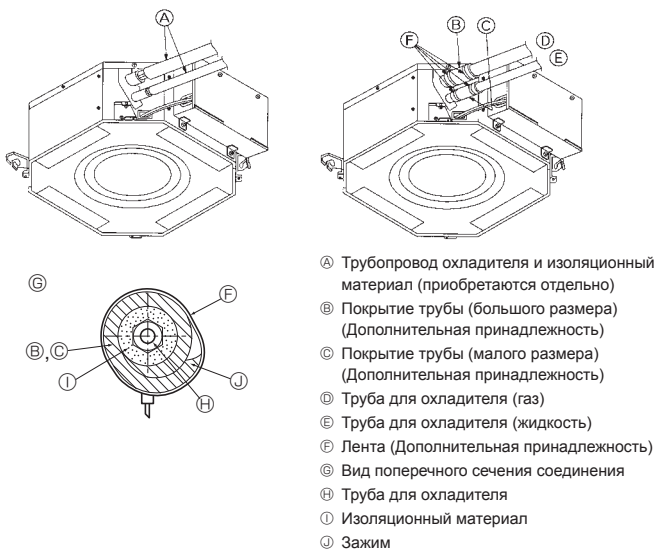


Fig. 5-8

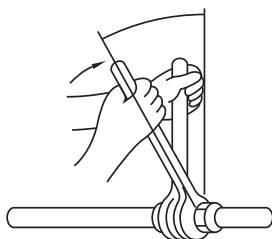


Fig. 5-9

5.4. Соединение труб (Fig. 5-8)

Внутренний прибор

1) При использовании имеющихся в продаже медных труб:

- Нанесите тонкий слой охлаждающего масла на трубу и выполните соединение посадочной поверхности до затяжки развальцовочной гайки.
- Используйте два ключа для затяжки трубных соединений.
- Выполните продувку трубопровода охладителя с помощью собственного охладителя (запрещается производить продувку с помощью охладителя, которым управлен наружный прибор).
- После выполнения соединений используйте детектор утечки газа или мыльную воду для проверки утечек газа.
- Используйте поставляемую изоляцию трубы охладителя для изоляции соединений внутреннего прибора. Выполняйте изоляцию надлежащим образом, как показано ниже.

2) Теплоизоляция труб охладителя:

- ① Оберните покрытие трубы большого размера вокруг трубы для газа, убедившись, что конец покрытия трубы касается боковой части прибора.
- ② Оберните покрытие трубы меньшего размера вокруг трубы для жидкости, убедившись, что конец покрытия трубы касается боковой части прибора.
- ③ Закрепите оба конца покрытия каждой трубы с помощью прилагаемых лент. (Устанавливайте ленты на расстоянии 20 мм от концов покрытий труб.)

Убедитесь, что стопорный клапан наружного прибора полностью закрыт (прибор поставляется с закрытым клапаном). После завершения исполнения всех трубных соединений между наружным и внутренним прибором выполните вакуумную продувку для удаления воздуха из системы через сервисный порт стопорного клапана наружного прибора.

После завершения вышеописанных процедур полностью откройте стопорные клапаны наружного прибора. Данное действие завершает соединение контура охладителя между внутренним и наружным приборами. Указания по использованию стопорного клапана приведены на наружном приборе.

- Нанесите тонкий слой охлаждающего масла на посадочную поверхность трубы. (Fig. 5-9)
- При подсоединении сначала выровняйте центр, затем затяните развальцовочную гайку на первые 3-4 оборота.
- Используя таблицу с крутящим моментом ниже в качестве руководства при затягивании муфтового соединения со стороны внутреннего прибора, затяните гайки с помощью двух гаечных ключей. Чрезмерная затяжка может повредить развальцованный участок.

Наружный диаметр медной трубы (мм)	Наружный диаметр развальцовочной гайки (мм)	Крутящий момент затяжки (Н м)
ø6,35	17	14 - 18
ø9,52	22	34 - 42
ø12,7	26	49 - 61

⚠ Предупреждение:

Опасайтесь срыва развальцовочной гайки (под воздействием внутреннего давления)

Удаление развальцовочной гайки должно производиться следующим образом:

1. Ослабьте гайку, пока не услышите шипящий звук.
2. Запрещается снимать гайку, пока не стравлен весь газ (т.е. до прекращения шипящего звука).
3. Убедитесь, что газ полностью стравлен, после чего снимите гайку.

6. Дренажные трубы

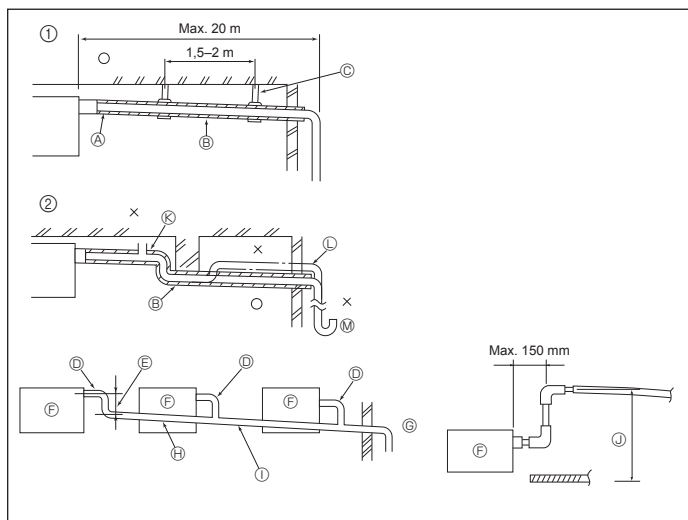


Fig. 6-1

6.1. Дренажные трубы (Fig. 6-1)

- Используйте трубы VP25 (Трубы из ПВХ, О.Д. ø32) для дренажа, при этом обеспечьте наклон 1/100 или более.
- Для соединения труб используйте клей семейства ПВ.
- Следуйте схематическому рисунку при подсоединении труб.
- Для изменения направления дренажа используйте входящий в комплект поставки дренажный шланг.

- ① Правильное соединение труб
- ② Неправильное соединение труб
- ③ Изоляция (9 мм или больше)
- ④ Наклон вниз (1/100 или больше)
- ⓐ Поддерживающий металл
- ⓑ Выпуск воздуха
- ⓒ Поднятие
- ⓓ Ловушка запахов

Сгруппированные трубы

- ⓔ Трубы из ПВХ, О.Д. ø32
- ⓕ Сделайте ее как можно большей
- ⓖ Внутренний прибор
- ⓗ Устанавливайте трубы большого размера для сгруппированных труб
- ⓓ Наклон вниз (1/100 или больше)
- ⓔ Трубы из ПВХ, О.Д. ø38 для сгруппированных труб. (9 мм изоляция или больше)
- ⓕ До 500 мм

6. Дренажные трубы

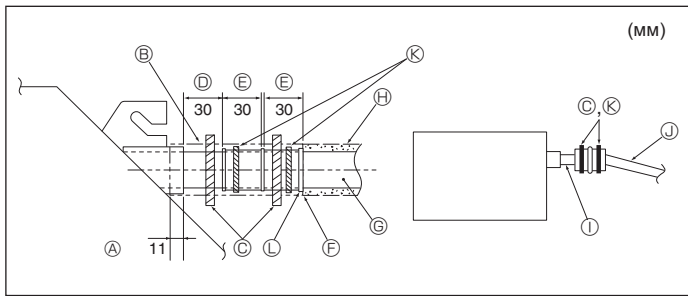


Fig. 6-2

1. Подсоедините соединительную муфту для дренажа (входит в комплект поставки прибора) к дренажному порту. (Fig. 6-2)
(Закрепите трубу с помощью клея ПВХ, а затем с помощью ленты.)
 2. Установите дренажные трубы (закупаются на месте). (Трубы из ПВХ, O.D. $\varnothing 32$.)
(Закрепите трубу с помощью клея ПВХ, а затем с помощью ленты.)
 3. Оберните изоляцию вокруг труб. (Трубы из ПВХ, O.D. $\varnothing 32$ и гнездо)
 4. Проверьте дренирование.
 5. Изолируйте дренажный порт изоляционным материалом, затем закрепите материал лентами. (Изоляция и лента входят в комплект прибора.)
- Ⓐ Прибор
 - Ⓑ Изоляция
 - Ⓒ Лента (большой)
 - Ⓓ Дренажный порт (неподготовленный)
 - Ⓔ Запас
 - Ⓕ Соответствие
 - Ⓖ Дренажная труба (Трубы из ПВХ, O.D. $\varnothing 32$)
 - Ⓗ Изоляция (приобретается на месте)
 - Ⓚ Неподготовленная труба из ПВХ
 - Ⓛ Трубы из ПВХ, O.D. $\varnothing 32$ (Наклон 1/100 или более)
 - Ⓜ Соединительная муфта для дренажа (малый)
 - Ⓝ Дренажный разъем

7. Электромонтажные работы

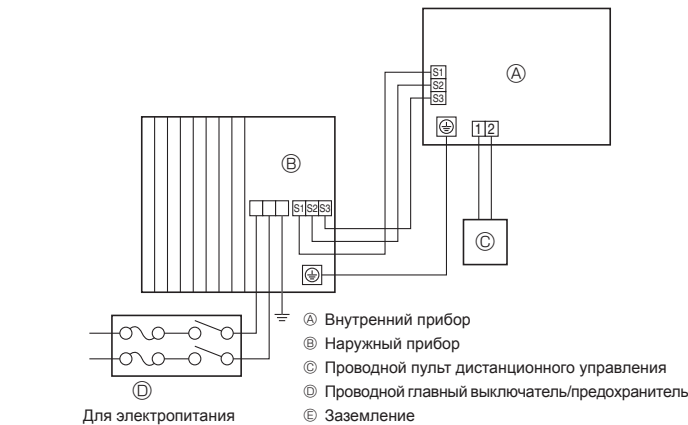


Fig. 7-1

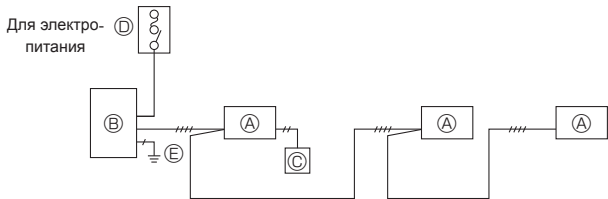


Fig. 7-2

- Ⓐ Крышка коробки электрических компонентов
- Ⓑ Коробка электрических компонентов
- Ⓒ Ввод кабеля для соединения внутреннего и наружного прибора
- Ⓓ Ввод кабеля проводного пульта дистанционного управления
- Ⓔ Проводной зажим
- Ⓖ Клемма для подключения кабеля соединения внутреннего и наружного прибора
- Ⓗ Клемма для подключения кабеля проводного пульта дистанционного управления (Для SLZ-KA-VAQ3)
- Ⓚ Внутренний контроллер
- Ⓛ Кабель заземления

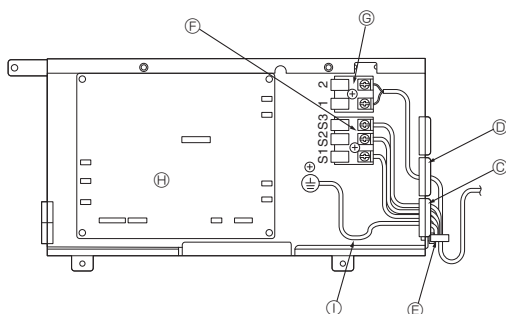


Fig. 7-3

7.1. Меры предосторожности (Fig. 7-1)

Характеристики электрооборудования	Входной номинал главного выключателя/предохранителя (A)		
	SLZ-KA25	SLZ-KA35	SLZ-KA50
Питание (1 фаза ~/H, 230 В, 50 Гц)	10	10	20

- Компрессор не будет работать, если не соблюдена правильная последовательность фаз электропитания.
- Заземляющая защита с автоматическим выключателем без плавкого предохранителя (прерыватель утечки тока на землю [ELB]) обычно устанавливается для Ⓓ.
- Максимальная длина кабеля соединения наружного и внутреннего приборов может быть увеличена до 50 метров максимум; максимальное общее удлинение, включая проводку между комнатами, составляет 80 м.

При установке кондиционера должен использоваться выключатель с зазором между разомкнутыми контактами не менее 3,5 мм на каждом полюсе.

* Все выключатели должны быть маркированы в соответствии с их назначением (нагреватель, прибор и т.д.).

7.2. Внутренний прибор (Fig. 7-2) (Fig. 7-3)

Рабочая процедура

1. Удалите 2 винта, чтобы отсоединить крышку коробки электрических компонентов.
 2. Проведите все кабели через кабельные отверстия в коробку электрических компонентов. (Кабели электропитания и соединения наружного/внутреннего приборов приобретаются отдельно.)
 3. Надежно подключите кабели электропитания и соединения наружного/внутреннего приборов к клеммным колодкам.
 4. Закрепите кабели с помощью зажимов снаружи коробки электрических компонентов.
 5. Установите на место крышку коробки электрических компонентов.
- Прикрепите кабель электропитания и кабель соединения внутреннего/наружного приборов к коробке электрических компонентов с помощью буферного переходника силы натяжения. (соединение PG или аналогичное.)

⚠ Предупреждение:

- **надежно закрепляйте крышку коробки электрических компонентов. Неправильное подсоединение может привести к возникновению пожара и поражению электрическим током из-за попадания пыли, воды и т. д.**
- **Используйте кабели указанных параметров для надежного соединения внутреннего и наружного приборов. Надежно закрепите кабели в клеммной колодке, чтобы натяжение провода не передавалось в секторы соединений клеммной колодки. Незавершенное соединение или ненадежная фиксация кабеля может привести к пожару.**

7. Электромонтажные работы

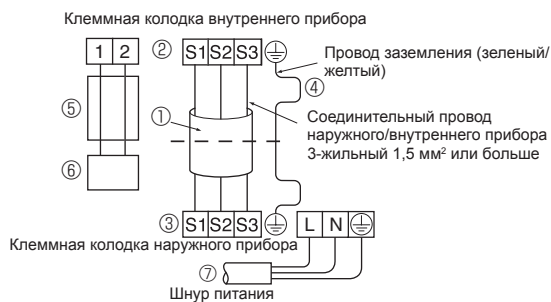


Fig. 7-4

- Выполните подсоединение, как показано на схеме внизу слева. (Кабель приобретается отдельно). (Fig. 7-4)

Убедитесь, что используются кабели с правильной полярностью.

- 1) Соединительный кабель
3-жильный кабель 1,5 мм², соответствующий требованиям промышленного образца 245 IEC 57.
- 2) Клеммная колодка внутреннего прибора
- 3) Клеммная колодка наружного прибора
- 4) Всегда устанавливайте заземляющий провод (1-жильный 1,5 мм²), который длиннее других кабелей
- 5) Кабель пульта дистанционного управления (неполярный)
2-жильный кабель 0,3 мм²
Провод длиной 10 м присоединяется к дополнительному устройству пульта дистанционного управления. Макс. 500 м
- 6) Проводной пульт дистанционного управления
- 7) Шнур питания

⚠ Осторожно:

- Внимательно следите за правильностью подсоединения проводов.
- Плотнo затягивайте винты клеммной колодки для предотвращения их ослабления.
- После затяжки винтов слегка потяните за провода, чтобы убедиться в их неподвижности.
- Кабель пульта дистанционного управления должен проводиться на определенном расстоянии (не менее 5 см) от кабеля источника питания во избежание электрических помех, создаваемых кабелем источника питания.

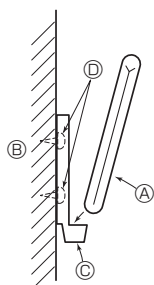


Fig. 7-5

- А Беспроводной пульт дистанционного управления (Дополнительная принадлежность)
- Б Стена
- В Держатель пульта дистанционного управления (Дополнительная принадлежность)
- Г Шуруп крепления (Дополнительная принадлежность)

7.3. Пульт дистанционного управления

7.3.1. Беспроводной пульт дистанционного управления (Fig. 7-5)

1) Места установки

- Места, в которых пульт дистанционного управления не подвержен воздействию прямых солнечных лучей.
- Места, удаленные от источников тепла.
- Места, в которых пульт дистанционного управления не подвержен воздействию холодного (или теплого) ветра.
- Места, максимально удобные для использования пульта дистанционного управления.
- Места, в которых пульт дистанционного управления недоступен для детей.

2) Метод установки

- 1) Закрепите держатель пульта дистанционного управления в выбранном Вами месте с помощью двух самонарезающих винтов.
 - 2) Вставьте низ пульта в держатель.
- Сигнал передается на расстояние приблизительно в 7 м (по прямой линии) в диапазоне в 45 градусов слева и справа от центральной оси приема сигналов ресивером.
- Кроме того, прим сигнала может не осуществляться при наличии интерференции флуоресцентного освещения или интенсивного солнечного света.

7.3.2. Проводной пульт дистанционного управления

1) Процедура установки

Подробное описание см. в руководстве по установке, прилагаемого к пульту дистанционного управления.

2) Выбор функций пульта дистанционного управления

Если подключены два пульта дистанционного управления, настройте один как "Main" (Главный), а другой - как "Sub" (Подчиненный). Процедуры настройки приводятся в разделе "Выбор функций пульта дистанционного управления" в руководстве по эксплуатации внутреннего прибора.

7.4. Настройки функций

7.4.1. Настройка функций на приборе (Выбор функций прибора)

1) ФУНКЦИЯ

Плата внутреннего контроллера

Данное изделие оснащено ФУНКЦИЕЙ ПЕРЕКЛЮЧАТЕЛЯ. (переключатель DIP на плате внутреннего контроллера)

Когда управление внутренним прибором производится с пульта дистанционного управления, режим работы, заданная температура и скорость вентилятора вносятся в память платы внутреннего контроллера.

Заводская настройка по умолчанию

SW3				
1			5	ON
	2	3	4	OFF

Переключатель	Функция	Положение переключателя	Значение
SW3-1	Автоматическое включение после сбоя электропитания	ON (ВКЛ.)	Доступно
		OFF (ВЫКЛ.)	Недоступно
SW3-3	Скорость вентилятора при ОТКЛЮЧЕНИИ термореле системы подогрева	ON (ВКЛ.)	Стоп
		OFF (ВЫКЛ.)	Очень низкая

7. Электромонтажные работы

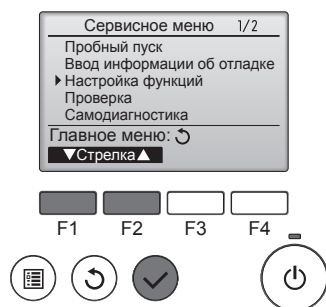


Fig. 7-6

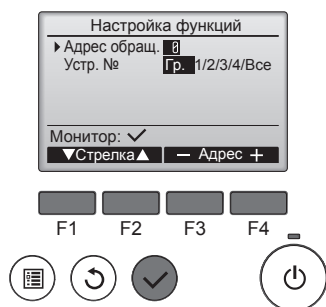


Fig. 7-7

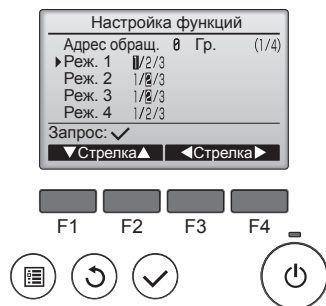


Fig. 7-8



Fig. 7-9



Fig. 7-10

Только для кондиционеров с проводным пультом дистанционного управления

- ① (Fig. 7-6)
- Выберите в Главном меню пункт “Сервисное обслуживание” и нажмите кнопку [ВЫБОР].
 - С помощью кнопки [F1] или [F2] выберите пункт “Настройка функций” и нажмите кнопку [ВЫБОР].

- ② (Fig. 7-7)
- Установите адреса блоков охлаждения внутренних блоков и номера блоков с помощью кнопок [F1]–[F4], а затем нажмите кнопку [ВЫБОР], чтобы подтвердить настройки.

<Проверка внутреннего блока №.>
 Когда будет нажата кнопка [ВЫБОР], запустится вентилятор соответствующего внутреннего блока. Если работает один общий блок или когда работают все блоки, на всех внутренних блоках для выбранного адреса хладагента будут запущены вентиляторы.

- ③ (Fig. 7-8)
- После завершения сбора данных внутренних блоков текущие настройки будут отмечены подсветкой. Не подсвеченные пункты указывают, что настройки функций выполнены не были. Вид экрана зависит от параметра “Устр. №”.

- ④ (Fig. 7-9)
- С помощью кнопок [F1] и [F2] переместите курсор для выбора номера режима и измените номер кнопкой [F3] или [F4].

- ⑤ (Fig. 7-10)
- После завершения настройки нажмите кнопку [ВЫБОР], чтобы отправить выбранные значения из контроллера дистанционного управления во внутренние блоки.
 - После успешного завершения передачи повторно откроется экран Настройка функций.

Примечание:

- При необходимости, выполните описанные выше настройки для блоков Mr. Slim.
- В таблице 1 перечислены возможные настройки для всех номеров режимов. Подробная информация о начальных настройках, номерах режимов и настройке номеров для внутренних блоков приведена в “Руководстве по монтажу”.
- Запишите настройки всех функций, если после монтажа начальные настройки были изменены.

Таблица функций

Выберите номер прибора 00

Режим	Установки	Номер режим	Номер установки	Первоначальная настройка	установка
Автоматическое восстановление после сбоя питания *1 (ФУНКЦИЯ АВТОЗАПУСКА)	Отсутствует	01	1	*1	
	Имеется		2	*1	
Определение температуры в помещении	Средняя величина при работе внутреннего прибора Устанавливается с пульта дистанционного управления внутреннего прибора Внутренний датчик пульта дистанционного управления	02	1	○	
			2		
			3		
Подсоединяемость LOSSNAY	Не поддерживается Поддерживается (внутренний прибор не оборудован механизмом всасывания наружного воздуха) Поддерживается (внутренний прибор оборудован механизмом всасывания наружного воздуха)	03	1	○	
			2		
			3		
Напряжение в сети электропитания	240 V 220 V, 230 V	04	1		
			2	○	

Выберите номера прибора от 01 до 03 или все приборы (AL)

Режим	Установки	Номер режим	Номер установки	Первоначальная настройка	установка
Знак фильтра	100 часов	07	1		
	2500 часов		2	○	
	Нет индикатора знака фильтра		3		

*1 Для данной модели с помощью пульта дистанционного управления нельзя выбрать режим №1. Установите данный режим с помощью переключателя DIP SW3-1 на плате внутреннего контроллера.

8. Установка вентиляционной решетки

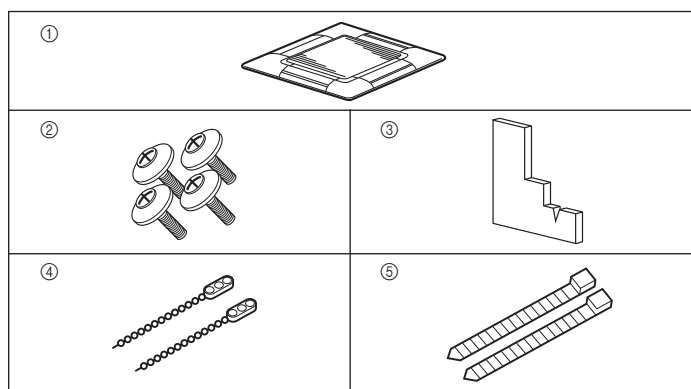


Fig. 8-1

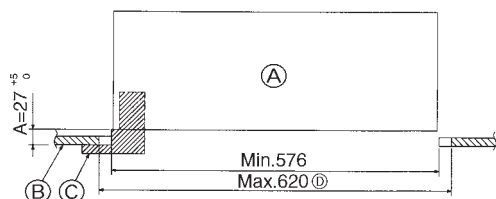


Fig. 8-2

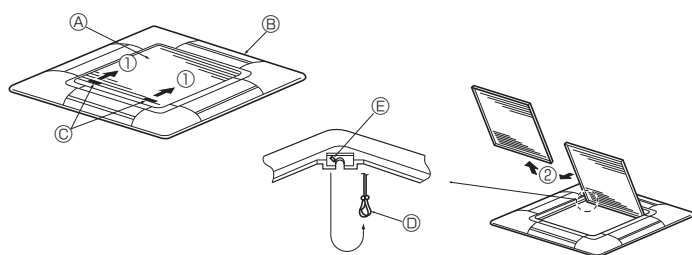


Fig. 8-3

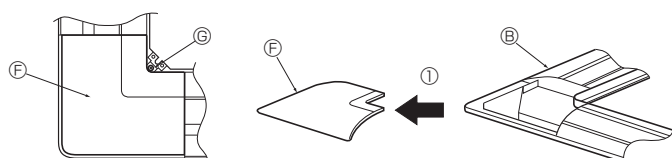


Fig. 8-4

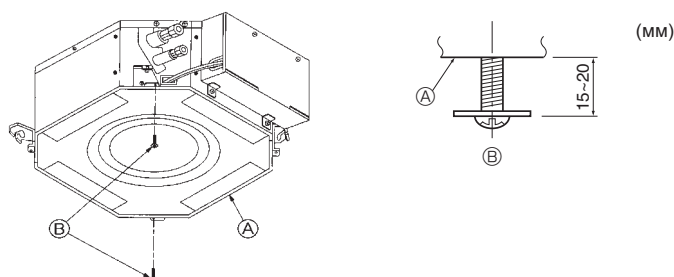


Fig. 8-5

8.1. Проверьте дополнительные принадлежности решетки (Fig. 8-1)

- Решетка поставляется со следующими дополнительными принадлежностями.

	Название приспособления	Количество	Замечание
①	Решетка	1	650 × 650 (мм)
②	Винт с привязной прокладкой	4	M5 × 0,8 × 25 (мм)
③	Шаблон	1	
④	Фиксатор	2	
⑤	Лента	2	

8.2. Подготовка к установке вентиляционной решетки (Fig. 8-2)

- С помощью поставляемого в комплекте измерительного прибора отрегулируйте и проверьте размещение прибора относительно потолка. Ненадлежащее размещение прибора относительно потолка может привести к утечке воздуха, образованию конденсата или неправильной работе вертикальных заслонок.
- Убедитесь в том, что отверстие в потолке имеет следующие допустимые размеры: 576 × 576 - 620 × 620
- Убедитесь в том, что операция А выполняется в пределах 27-32мм. Несоблюдение данного предела может в результате привести к повреждениям.
 - Ⓐ Главный прибор
 - Ⓑ Потолок
 - Ⓒ Шаблон (Дополнительная принадлежность)
 - Ⓓ Габариты потолочного отверстия

8.2.1. Удаление воздухозаборной решетки (Fig. 8-3)

- Сдвиньте рычаги в направлении, обозначенном стрелкой ①, чтобы открыть воздухозаборную решетку.
- Снимите с защелки крюк, удерживающий вентиляционную решетку.
 - * Не снимайте с защелки крюк воздухозаборной решетки.
- Пока воздухозаборная решетка находится в "открытом" положении, удалите стержень воздухозаборной решетки с вентиляционной решетки в направлении стрелки ②.

8.2.2. Удаление угловой панели (Fig. 8-4)

- Удалите винт из угла угловой панели. Для удаления угловой панели сдвиньте угловую панель в направлении стрелки ①.

 - Ⓐ Воздухозаборная решетка
 - Ⓑ Вентиляционная решетка
 - Ⓒ Рычаги воздухозаборной решетки
 - Ⓓ Крюк вентиляционной решетки
 - Ⓔ Отверстие для крюка вентиляционной решетки
 - Ⓕ Угловая панель
 - Ⓖ Винт

8.3. Установка вентиляционной решетки

- Обратите внимание на наличие ограничения положения крепления решетки.

8.3.1. Подготовка (Fig. 8-5)

- Установите две прилагаемых винта с шайбой в главный прибор (в углу зоны подсоединения трубы для охладителя и в противоположном углу), как показано на схеме.
 - Ⓐ Главный прибор
 - Ⓑ Подробная схема с установленным винтом и шайбой (дополнительная принадлежность).

8. Установка вентиляционной решетки

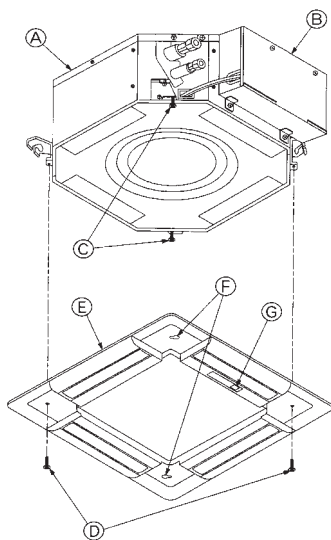


Fig. 8-6

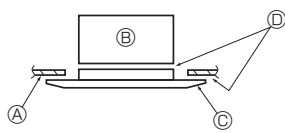


Fig. 8-7

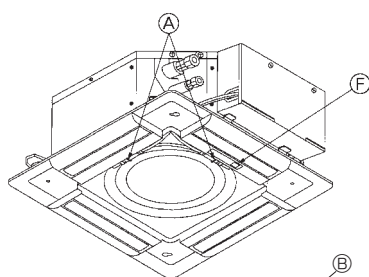


Fig. 8-8

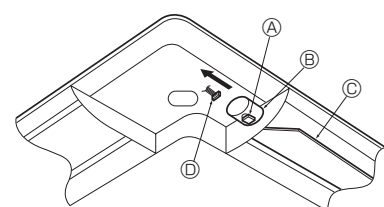


Fig. 8-9

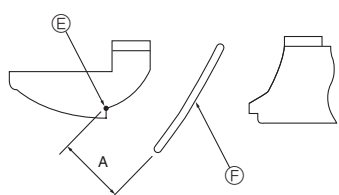


Fig. 8-10

8.3.2. Временная установка вентиляционной решетки (Fig. 8-6)

- Соотнесите коробку электрических компонентов главного прибора с приемником решетки и затем временно закрепите решетку с помощью конусообразных отверстий.

* Убедитесь в том, что соединительные провода вентиляционной решетки не зажаты между вентиляционной решеткой и главным прибором.

- Ⓐ Главный прибор
- Ⓑ Коробка электрических компонентов
- Ⓒ Винт с прокладкой (для временного использования)
- Ⓓ Винт с шайбой (дополнительная принадлежность)
- Ⓔ Вентиляционная решетка
- Ⓕ Колоколообразное отверстие
- Ⓖ Приемник (Для SLZ-KA-VAL3)

8.3.3. Крепление вентиляционной решетки (Fig. 8-7)

- Закрепите вентиляционную решетку на главном приборе путем затягивания установленных ранее винтов (с привязной прокладкой), а также двух оставшихся винтов (с привязной прокладкой).

* Убедитесь в отсутствии зазоров между главным прибором и вентиляционной решеткой или между вентиляционной решеткой и потолком.

⚠ Осторожно:

Затягивая винт с пружинной зубчатой шайбой Ⓓ, следует прикладывать момент не более 4,8 Н·м. Никогда не используйте ударный гайковёрт.

- Это может привести к повреждению деталей.

- Ⓐ Потолок
- Ⓑ Главный прибор
- Ⓒ Вентиляционная решетка
- Ⓓ Убедитесь в отсутствии зазоров

8.3.4. Соединение проводов (Fig. 8-8)

- Обязательно подключите прибор к соединителю (белый:10-полюсный/красный:9-полюсный). Далее присоедините белую стеклянную трубку, поставляемую с главным прибором, так чтобы трубка закрывала соединитель. Закройте отверстие стеклянной трубки с помощью ленты.

- Убедитесь в отсутствии провисания всех силовых проводов в зажиме решетки.

- Ⓐ Зажим (дополнительная принадлежность)
- Ⓑ Белая стеклянная трубка
- Ⓒ Соединитель главного прибора
- Ⓓ Соединитель решетки
- Ⓔ Лента (Дополнительная принадлежность)
- Ⓕ Приемник (Для SLZ-KA-VAL3)

8.4. Блокировка направления воздушного потока вверх/вниз (Fig. 8-9)

Воздушные заслонки на приборе можно заблокировать для выдува воздуха вверх или вниз в зависимости от среды, в которой эксплуатируется прибор.

- Установите в соответствии с пожеланиями клиента.

Работой заслонок выдува вверх/вниз и всеми операциями автоматического управления невозможно управлять с пульта дистанционного управления. Кроме того, реальное положение заслонок может отличаться от положения, показываемого на пульте дистанционного управления.

- 1 Выключите главный выключатель питания.

При вращающемся вентиляторе на приборе возможно получение травмы или поражение электрическим током.

- 2 Отсоедините соединитель мотора заслонок того вентиляционного отверстия, которое Вы хотите заблокировать.

(Нажимая на кнопку, удалите соединитель в направлении, указанном стрелкой, как изображено на диаграмме.) После удаления соединителя изолируйте его изолянтной лентой.

- 3 Для настройки требуемого направления потока воздуха медленно перемещайте вертикальные заслонки в рамках указанного диапазона. (Fig. 8-10)

Указанный диапазон

Вертикальное направление воздушного потока	По горизонтали 30°	Вниз 45°	Вниз 55°	Вниз 70°
A (мм)	21	25	28	30

- Заслонки могут быть установлены в диапазоне от 21 до 30 мм.

⚠ Осторожно:

Запрещается устанавливать вертикальные заслонки вне указанного диапазона. В противном случае на потолке может образоваться конденсат или в работе прибора могут возникнуть неполадки.

8. Установка вентиляционной решетки

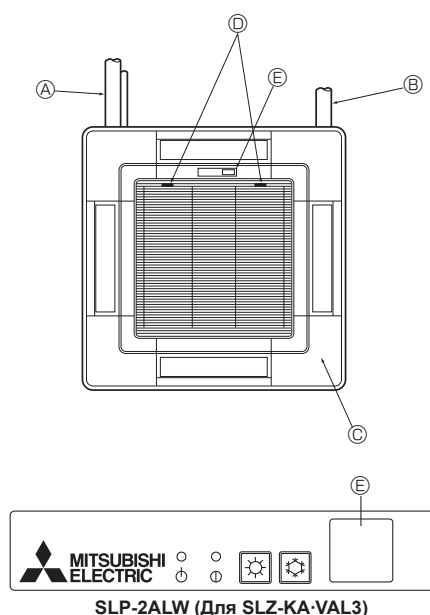


Fig. 8-11

8.5. Установка воздухозаборной решетки (Fig. 8-11)

- Для установки воздухозаборной решетки и угловой панели выполните в обратном порядке операции, описанные в разделе “8.2. Подготовка к установке вентиляционной решетки”.

Ⓐ Трубы хладагента главного прибора

Ⓑ Дренажные трубы главного прибора

Ⓒ Угловая панель

* Возможна установка в любом положении.

ⓓ Заводское положение рычагов на решетке впуска воздуха.

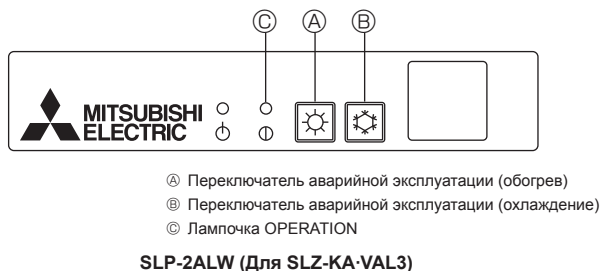
* Впрочем, зажимы могут быть установлены в любом из четырех положений.

ⓔ Приемник (Для SLZ-KA-VAL3)

8.6. Проверьте

- Убедитесь в отсутствии зазоров между прибором и решеткой и между решеткой и поверхностью потолка. Наличие зазоров между прибором и решеткой и между решеткой и поверхностью потолка может привести к скоплению влаги.
- Проверьте надежность подсоединения проводов.

9. Выполнение испытания



Ⓐ Переключатель аварийной эксплуатации (обогрев)

Ⓑ Переключатель аварийной эксплуатации (охлаждение)

Ⓒ Лампочка OPERATION

SLP-2ALW (Для SLZ-KA-VAL3)

Fig. 9-1

9.1. До проведения пробного прогона

- ▶ После установки внутреннего и наружного прибора, подсоединения трубопроводов и электрических кабелей повторно проверьте устройство на отсутствие утечек хладагента, недостаточно затянутые соединения и неправильность полярности.
- ▶ Измерьте сопротивление между клеммной колодкой электропитания (L, N, ⊕) на приборе и землей с помощью прибора для измерения сопротивления на 500 В и убедитесь, что сопротивление составляет 1,0 МΩ или более.

9.2. Пробный прогон

9.2.1. Для беспроводного пульта дистанционного управления (Fig. 9-1)

Измерьте сопротивление между клеммной колодкой электропитания на наружном приборе и землей с помощью прибора для измерения сопротивления на 500 В и убедитесь, что сопротивление составляет 1,0 МΩ или более.

- Перед проведением пробного прогона еще раз проверьте правильность подключения электропроводки.

Неправильно выполненная электропроводка мешает нормальной работе прибора или вызывает перегорание предохранителя, что приводит к выключению прибора.

- Выполните пробный прогон следующим образом.

Процедура

- 1 Нажмите кнопку ⓔ и удерживайте ее нажатой в течение 3 секунд для начала операции охлаждения.

Если лампа рабочего состояния ⓐ мигает каждые 0,5 секунды, проверьте соединительные провода наружного и внутреннего приборов на правильность подключения.

- Проверьте правильность работы заслонок при выдуве холодного воздуха.
- 2 Еще одно нажатие отключает работу.
- 3 Нажмите кнопку Ⓐ и удерживайте ее нажатой в течение 3 секунд для начала операции обогрева. Проверьте выдув теплого воздуха.
- В начале работы в режиме обогрева вентилятор внутреннего прибора может некоторое время не работать, чтобы предотвратить выдувание холодного воздуха. Пожалуйста, подождите несколько минут, пока не поднимется температура теплообменника, и прибор начнет выдувать теплый воздух.
- 4 Еще одно нажатие отключает работу.

Проверка приема (инфракрасного) сигнала с пульта дистанционного управления

Нажмите кнопку ON/OFF (ВКЛ./ВЫКЛ.) на пульте дистанционного управления, при этом из внутреннего прибора должен издаваться электронный звуковой сигнал. Нажмите кнопку ON/OFF (ВКЛ./ВЫКЛ.) еще раз, чтобы выключить кондиционер.

Аварийная эксплуатация (если утерян беспроводной пульт дистанционного управления)

Аварийное включение можно осуществить с помощью кнопки ⓔ/Ⓐ (охлаждение/обогрев). При однократном нажатии кнопки прибор будет включен для аварийной эксплуатации с фиксированной температурой работы равной 24°C в режиме охлаждения или обогрева.

Примечание:

- Автоматическое выключение в режиме аварийной эксплуатации не производится.
- Несмотря на то, что термостат принудительно включается во время пробного прогона, температура при аварийной эксплуатации установлена на 24°C, и термостат работает в соответствии с комнатной температурой.

Если управление внутренним прибором осуществляется с пульта дистанционного управления, то и пробный прогон, и аварийная работа включаются с помощью команд с пульта дистанционного управления.

После остановки компрессора включается защитное устройство механизма повторного запуска, предотвращающее включение компрессора в течение трех минут с целью защиты кондиционера.

9. Выполнение испытания

9.2.2. Проводной пульт дистанционного управления

- Перед пробным пуском внимательно прочтите руководство по эксплуатации. (Особенно это касается указаний по безопасности)

Шаг 1 Включите питание.

- Пульт дистанционного управления: система переходит в режим запуска, индикатор питания (зеленый) пульта дистанционного управления начинает мигать и отображается сообщение "PLEASE WAIT (ПОЖАЛУЙСТА, ПОДОЖДИТЕ)". В этот момент пульт дистанционного управления недоступен для операций. Перед использованием пульта дистанционного управления дождитесь удаления с дисплея сообщения "PLEASE WAIT (ПОЖАЛУЙСТА, ПОДОЖДИТЕ)". Сообщение "PLEASE WAIT (ПОЖАЛУЙСТА, ПОДОЖДИТЕ)" отображается в течение приблизительно 2 минут после включения питания.
- Плата управления внутреннего блока: индикатор 1 загорается, индикатор 2 загорается (если адрес равен 0) или гаснет (если адрес не равен 0), индикатор 3 мигает.
- Плата управления наружного блока: индикатор 1 (зеленый) и индикатор 2 (красный) загораются. (После завершения процедуры запуска системы индикатор 2 гаснет.) Если на плате управления наружного блока используется цифровой дисплей, каждую секунду попеременно отображаются символы [-] и [-]. Если после выполнения процедур в шаге 2 и после него операции не выполняются надлежащим образом, проверьте и устраните следующие проблемы. (Симптомы, описанные ниже, могут проявляться в режиме пробного пуска. "Startup (Запуск)" в таблице обозначается индикацией, описанной выше.)

Симптомы в режиме пробного пуска		Причина
Дисплей пульта дистанционного управления	Индикация ПЛАТЫ НАРУЖНОГО БЛОКА < > обозначает цифровой дисплей.	
На пульте дистанционного управления отображается сообщение "PLEASE WAIT (ПОЖАЛУЙСТА, ПОДОЖДИТЕ)", пульт для операций недоступен.	После отображения сообщения "Startup (Запуск)" загорается только зеленый индикатор. <00>	• После включения питания в течение 2 минут во время запуска системы на дисплее будет отображаться сообщение "PLEASE WAIT" (ПОЖАЛУЙСТА, ПОДОЖДИТЕ). (Нормальный режим)
После включения питания в течение 3 минут отображается сообщение "PLEASE WAIT (ПОЖАЛУЙСТА, ПОДОЖДИТЕ)", затем отображается код ошибки.	После отображения сообщения "Startup (Запуск)" попеременно вспыхивают однократно зеленый и однократно красный индикаторы. <F1>	• Неверное подключение к клеммной колодке наружного блока (R, S, T и S ₁ , S ₂ , S ₃ .)
	После отображения сообщения "Startup (Запуск)" попеременно вспыхивают однократно зеленый и дважды красный индикаторы. <F3, F5, F9>	• Разомкнут контакт защитного устройства наружного блока.
Дисплей не загорается даже при включении питания на пульте дистанционного управления. (Не загорается индикатор работы.)	После отображения сообщения "Startup (Запуск)" попеременно вспыхивают дважды зеленый и однократно красный индикаторы. <EA, Eb>	• Неверное подключение проводов между внутренним и наружным блоками (неверная полярность подключения S ₁ , S ₂ , S ₃). • Провод передачи данных пульта дистанционного управления закорочен.
	После отображения сообщения "Startup (Запуск)" загорается только зеленый индикатор. <00>	• Отсутствует наружный блок с адресом 0. (Адрес не равен 0.) • Разомкнут провод передачи данных пульта дистанционного управления.
Дисплей загорается, но вскоре гаснет даже при работе с пультом дистанционного управления.	После отображения сообщения "Startup (Запуск)" загорается только зеленый индикатор. <00>	• После отмены выбора функции, операции недоступны в течение 30 секунд. (Нормальный режим)

Шаг 2 Включите на пульте дистанционного управления режим "Пробный пуск".

- 1 Выберите режим "Пробный пуск" в Сервисном меню и нажмите кнопку [ВЫБОР]. (Fig. 9-2)
- 2 Выберите режим "Пробный пуск" в Меню пробного пуска и нажмите кнопку [ВЫБОР]. (Fig. 9-3)
- 3 Запускается режим "Пробный пуск" и отображается экран пробного пуска.

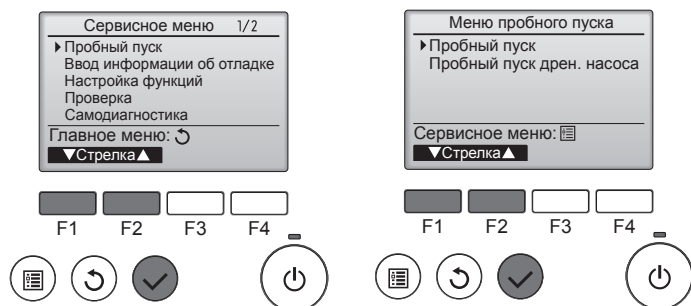


Fig. 9-2

Fig. 9-3

Шаг 3 Выполните пробный пуск и проверьте температуру воздушного потока и автоматическую работу жалюзи.

- 1 Для изменения режима работы нажмите кнопку [F1]. (Fig. 9-4)
Режим охлаждения: убедитесь, что из блока поступает охлажденный воздух.
Режим нагревания: убедитесь, что из блока поступает нагретый воздух.
- 2 Нажмите кнопку [ВЫБОР] для отображения экрана работы жалюзи, затем нажмите кнопку [F1] и [F2] для проверки автоматического режима работы жалюзи. (Fig. 9-5)
Нажмите кнопку [ВОЗВРАТ] для возврата к экрану пробного пуска.

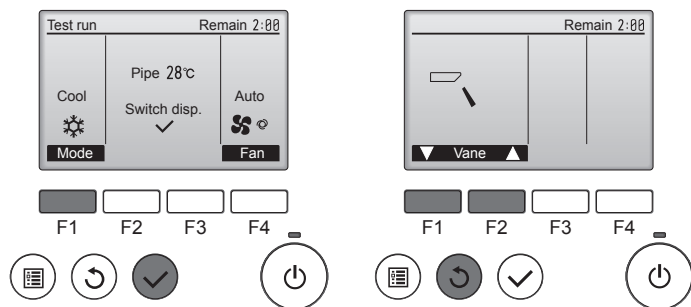


Fig. 9-4

Fig. 9-5

9. Выполнение испытания

Шаг 4 Проверка работы вентилятора наружного блока.

Скорость вращения вентилятора наружного блока регулируется для управления работой устройства. В зависимости от атмосферных условий вентилятор вращается с низкой скоростью, пока этого будет достаточно для нормальной работы. Наружный ветер может привести к остановке вентилятора или его вращению в обратном направлении, однако это не является проблемой.

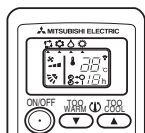
Шаг 5 Остановка пробного пуска.

① Для остановки пробного пуска нажмите кнопку [ВКЛ/ВЫКЛ]. (Отображается меню Пробного пуска.)
Примечание. Если на дисплее отображается код ошибки, см. таблицу ниже.

ЖК-дисплей	Описание сбоя	ЖК-дисплей	Описание сбоя	ЖК-дисплей	Описание сбоя
P1	Ошибка датчика впуска	P9	Ошибка датчика трубопровода (двойной трубопровод)	E0 ~ E5	Ошибка связи между пультом дистанционного управления и внутренним блоком
P2	Ошибка датчика трубопровода (трубопровод для жидкости)	PA	Ошибка протечки (система хладагента)		
P4	Разъединен контакт переключателя дренажного слива (CN4F)	PL	Ненадлежащее функционирование контура хладагента		
P5	Защита от переполнения дренажной системы	FB	Ошибка платы управления внутреннего блока	E6 ~ EF	Ошибка связи между внутренним и наружным блоками
P6	Защита системы охлаждения/нагревания	U*, F* (* обозначение буквенно-цифрового символа, кроме FB.)	Нарушение работы наружного блока. См. схему соединений наружного блока.		
P8	Ошибка температуры трубопровода				

Описание индикаторов дисплея см. в таблице ниже (индикаторы 1, 2 и 3) на плате управления внутреннего блока.

Индикатор 1 (питание микрокомпьютера)	Индикатор подачи питания. Этот индикатор должен гореть постоянно.
Индикатор 2 (питание пульта дистанционного управления)	Указывает, подается ли питание на проводной пульт дистанционного управления. Данный индикатор загорается только для внутреннего блока, подключенного к наружному блоку и имеющего адрес 0.
Индикатор 3 (связь внутреннего/наружного блоков)	Указывает на связь между внутренним и наружным блоками. Этот индикатор должен постоянно мигать.



Лампа индикации работы OPERATION INDICATOR вне зависимости от данных, которые отображаются на экране пульта ДУ.

Лампа индикации работы OPERATION INDICATOR

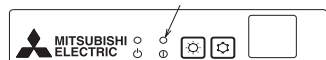


Fig. 9-6

9.3. Самодиагностика

9.3.1. Для проводного пульта дистанционного управления

- Подробное описание см. в руководстве по установке, прилагаемого к пульту дистанционного управления.

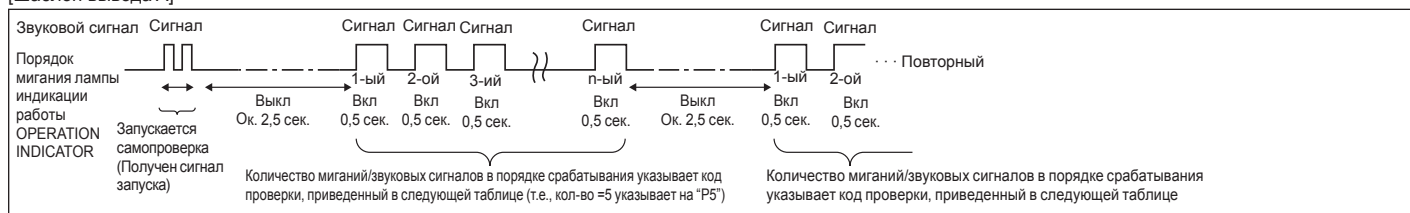
9.3.2. Для беспроводного пульта дистанционного управления [Только для модели SLZ-KA-VAL3] (Fig. 9-6)

- ① Включите питание.
- ② Удерживая нажатыми кнопки MODE SELECT (ВЫБОР РЕЖИМА) и TOO COOL (СЛИШКОМ ХОЛОДНО) на пульте дистанционного управления, нажмите кнопку RESET (СБРОС).
- ③ Отпустите кнопку RESET (СБРОС).
- ④ Отпустите две другие кнопки. Через три секунды на ЖК-экране отображаются все элементы.
- ⑤ Передайте сигнал с пульта ДУ, нажав кнопку OPERATE/STOP (ON/OFF) (РАБОТА/СТОП (ВКЛ./ВЫКЛ.)) на пульте ДУ. (При выполнении вышеописанной процедуры лампа индикации работы OPERATION INDICATOR указывает на режим сбоя.)
- ⑥ Передайте сигнал с пульта ДУ, нажав кнопку OPERATE/STOP (ON/OFF) (РАБОТА/СТОП (ВКЛ./ВЫКЛ.)) для прекращения самопроверки.

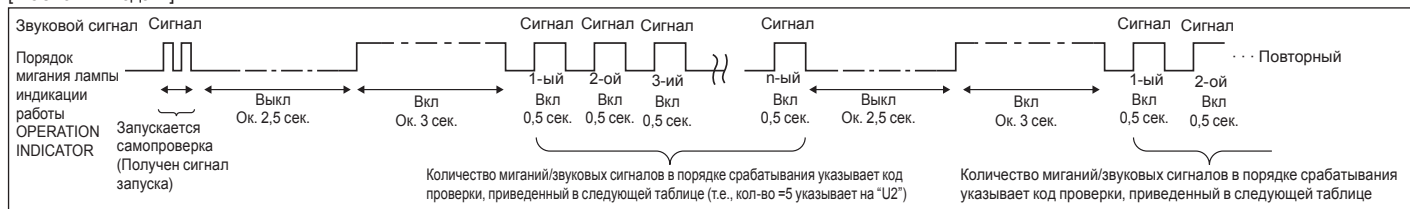
9. Выполнение испытания

• Дополнительные сведения по кодам проверки приводятся в следующих таблицах.

[Шаблон вывода А]



[Шаблон вывода В]



[Шаблон вывода А] Ошибки, обнаруженные внутренним прибором

беспроводного пульта дистанционного управления	Проводного пульта дистанционного управления	Признак	Примечание
Звуковые сигналы/ мигает лампа OPERATION (Число раз)	Код проверки		
1	P1	Ошибка впускного датчика	
2	P2	Ошибка датчика трубы (ТН2)	
	P9	Ошибка датчика трубы (ТН5)	
3	E6, E7	Ошибка связи между внутренним/наружным прибором	
4	P4	Ошибка дренажного датчика	
5	P5	Ошибка дренажного насоса	
	PA	Ошибка принудительного компрессора	
6	P6	Работа в режиме защиты от обледенения/перегрева	
7	EE	Ошибка связи между внутренним и наружным приборами	
8	P8	Ошибка температуры трубы	
9	E4	Ошибка получения сигнала пульта дистанционного управления	
10	—	—	
11	—	—	
12	Fb	Ошибка системы управления внутренним прибором (ошибка памяти и т.д.)	
14	PL	Ненадлежащее функционирование контура хладагента	

[Шаблон вывода В] Ошибки, обнаруженные прибором, кроме внутреннего прибора (наружный прибор и т.д.)

беспроводного пульта дистанционного управления	Проводного пульта дистанционного управления	Признак	Примечание
Звуковые сигналы/ мигает лампа OPERATION (Число раз)	Код проверки		
1	E9	Ошибка связи внутреннего/наружного прибора (Ошибка передачи) (Наружный прибор)	Подробнее см. ЖК-дисплей платы наружного контроллера.
2	UP	Прерывание компрессора по перегрузке по току	
3	U3, U4	Размыкание/короткое замыкание термисторов наружного прибора	
4	UF	Прерывание компрессора по перегрузке по току (Когда компрессор заблокирован)	
5	U2	Ненормально высокая температура нагнетания/49C сработало/недостаточно хладагента	
6	U1, Ud	Ненормально высокое давление (63Н сработало)/Работа системы защиты от перегрева	
7	U5	Ненормальная температура теплоотвода	
8	U8	Предохранительный останов вентилятора наружного прибора	
9	U6	Прерывание компрессора по перегрузке по току/Неисправность в модуле электропитания	
10	U7	Ненормально высокое тепло ой причине низкой температуры нагнетания	
11	U9, UN	Неисправность, например, перенапряжение или недостаток напряжения и н енормальный синхронный сигнал к главной цепи/Ошибка датчика тока	
12	—	—	
13	—	—	
14	Прочее	Другие ошибки (См. техническое руководство наружного прибора.)	

*1 Если звуковой сигнал не прозвучит снова после первоначальных двух сигналов подтверждения приема сигнала для запуска самопроверки и РАБОЧИЙ СВЕ-ТОВОЙ ИНДИКАТОР не загорится, записей об ошибках нет.

*2 Если звуковой сигнал прозвучит три раза подряд "бип, бип, бип (0,4 + 0,4 + 0,4 сек.)" после первоначальных двух сигналов подтверждения приема сигнала для запуска самопроверки, указанный адрес хладагента неправильный.

9. Выполнение испытания

- На беспроводном пульте дистанционного управления
Непрерывный зуммерный звук в зоне приема внутреннего прибора.
Мигание лампы индикации работы
- На проводном пульте дистанционного управления
Проверьте код, который отображается на ЖК-экране.
- Если прибор не работает надлежащим образом после проведения вышеописанного пробного прогона, сверьтесь со следующей таблицей для устранения причины.

Симптом		Причина
Проводной пульт дистанционного управления		
PLEASE WAIT	В течение примерно 2 минут после включения питания	• В течение примерно 2 минут после включения питания использование пульта дистанционного управления невозможно из-за пуска системы. (Правильная работа)
PLEASE WAIT → Код ошибки	В течение более чем 2 минут после включения питания	• Не подсоединен соединитель защитного устройства наружного прибора. • Обратное подсоединение фаз или неполнофазный режим электропроводки на блоке терминалов питания наружного прибора
Сообщения об ошибках не выводятся на дисплей, даже если выключатель работы находится в положении ON (Вкл.) (не горит лампочка работы).		• Неправильная электропроводка между внутренним и наружным приборами (неправильная полярность S1, S2, S3) • Короткое замыкание провода пульта дистанционного управления

В вышеописанном состоянии беспроводного пульта дистанционного управления наблюдаются следующие явления.

- Сигналы с пульта дистанционного управления не принимаются.
- Мигает лампа индикации работы.
- Зуммер издает короткий высокий гудок.

Примечание:

В течение приблизительно 30 секунд после отмены выбора функции управление невозможно. (Правильная работа)

Описание каждого СИДа (СИД1,2,3) на пульте управления внутреннего прибора приводится в таблице ниже.

СИД 1 (питание микрокомпьютера)	Показывает наличие питания системы управления. Убедитесь в том, что данный СИД горит постоянно.
СИД 2 (питание проводного пульта ДУ)	Указывает, подается ли питание на проводной пульт ДУ.
СИД 3 (связь между внутренним и наружным приборами)	Показывает состояние связи между внутренним и наружным приборами. Убедитесь в том, что данный СИД мигает постоянно.

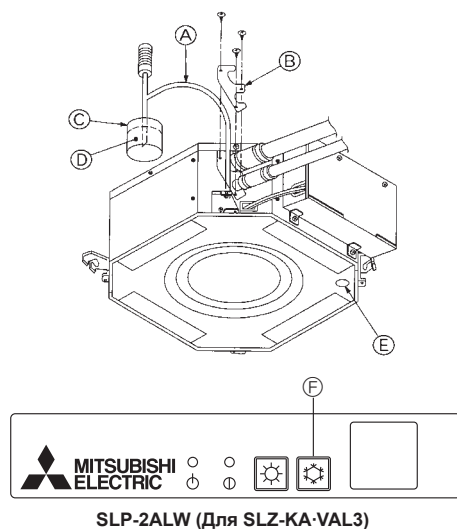


Fig. 9-7

9.4. Проверка дренажа

9.4.1. Для беспроводного пульта дистанционного управления (Fig. 9-7)

- Во время пробного прогона убедитесь, что дренаж воды осуществляется нормально и что соединения не пропускают воду.
 - Всегда проводите данную проверку, даже если устройство не предназначено в это время для охлаждения/осушки.
 - Аналогичным образом проверяйте дренаж после установки потолков в новом помещении.
- (1) Снимите крышку впуска воды и добавьте примерно 1000 кубических сантиметров воды с помощью водяного насоса. При проведении данной операции не допускайте попадания брызг воды в механизм дренажного насоса.
 - (2) Включите переключатель аварийной эксплуатации (охлаждение) на решетке.
 - (3) Убедитесь, что осуществляется дренаж воды через дренажное выпускное отверстие.
 - (4) После выполнения проверки дренажа убедитесь, что крышка установлена на место и кабель электропитания заизолирован.
 - (5) После проверки работоспособности дренажной системы установите на место пробку сливного отверстия.
- Ⓐ Вставьте конец шланга от насоса длиной от 3 до 5 см
 - Ⓑ Крышка впуска подачи воды
 - Ⓒ Примерно 1000 кубических сантиметров
 - Ⓓ Вода
 - Ⓔ Пробка сливного отверстия
 - Ⓕ Переключатель аварийной эксплуатации (охлаждение)

9.4.2. Для проводного пульта дистанционного управления

- (1) Снимите крышку впуска воды и добавьте примерно 1000 кубических сантиметров воды с помощью водяного насоса. При проведении данной операции не допускайте попадания брызг воды в механизм дренажного насоса.
- (2) Убедитесь, что осуществляется сток воды через дренажное отверстие после переключения из режима дистанционного управления в режим пробного прогона (охлаждение).
- (3) После выполнения проверки дренажа убедитесь, что крышка установлена на место и кабель электропитания заизолирован.
- (4) После проверки работоспособности дренажной системы установите на место пробку сливного отверстия.

This product is designed and intended for use in the residential,
commercial and light-industrial environment.

The product at hand is
based on the following
EU regulations:

- Low Voltage Directive 2006/95/ EC
- Electromagnetic Compatibility Directive
2004/108/ EC
- Machinery Directive 2006/42/ EC
- Energy-related Products Directive
2009/125/ EC and Regulation (EU) No 206/2012
- RoHs Directive 2011/65/EU

Please be sure to put the contact address/telephone number on
this manual before handing it to the customer.



mitsubishi electric corporation

HEAD OFFICE: TOKYO BLDG., 2-7-3, MARUNOUCHI, CHIYODA-KU, TOKYO 100-8310, JAPAN
Authorized representative in EU: MITSUBISHI ELECTRIC EUROPE B.V
HARMAN HOUSE, 1 GEORGE STREET, UXBRIDGE,
MIDDLESEX UB8 1QQ, UK